

tyco

*Fire & Integrated
Solutions*

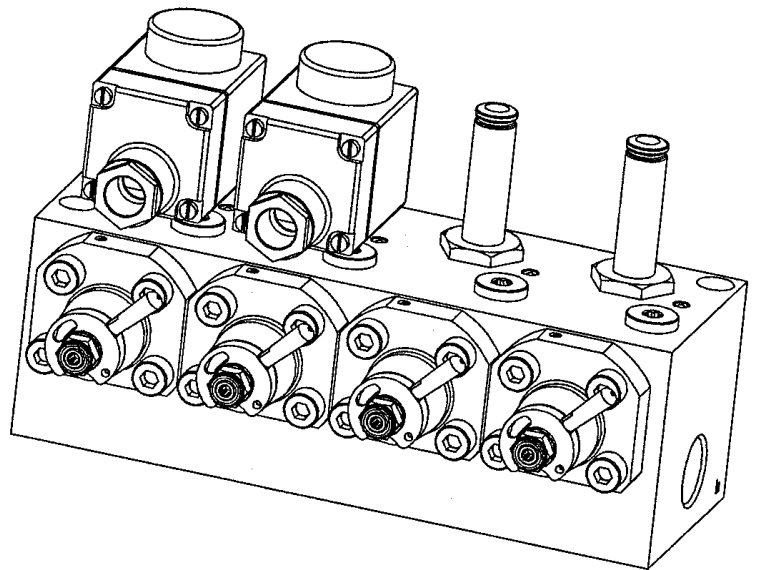
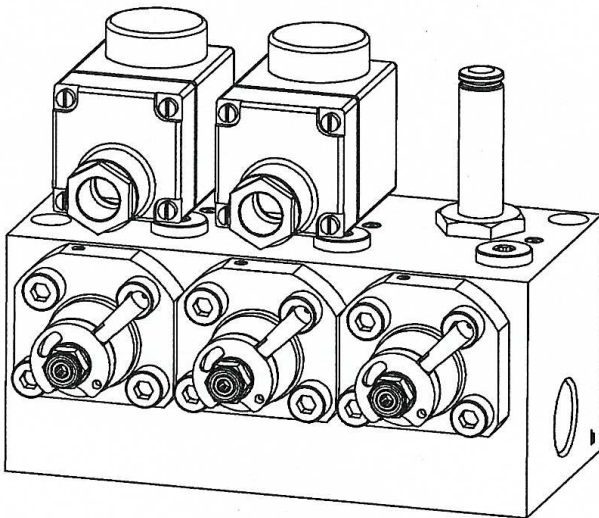
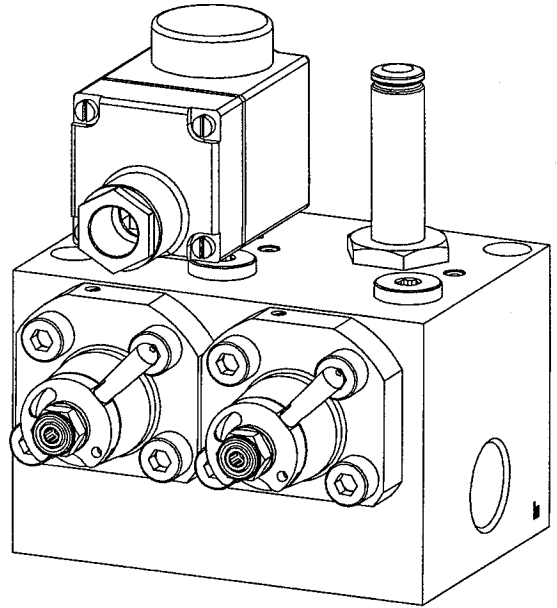
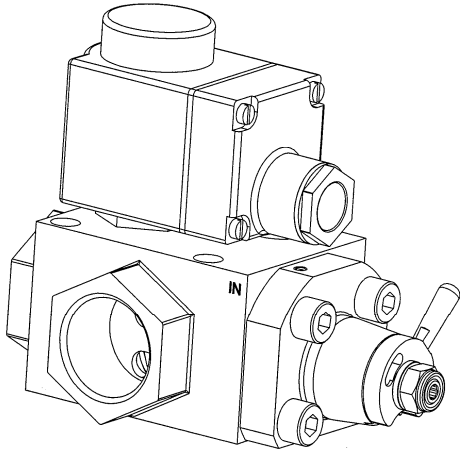
**HIGH PRESSURE WATER MIST
COMPONENT DATA SHEET**

**VDHT Section Valves
Data Sheet Number – 40**

**Issue Date
APRIL
2009**

**Page
1 of 7**

MicroDrop[®]



Filtration

To secure long lifetime is it recommended to install a filter or strainer in front of the valve. It is always recommended to use as high level of filtration as possible because this increases the reliability of the valves.

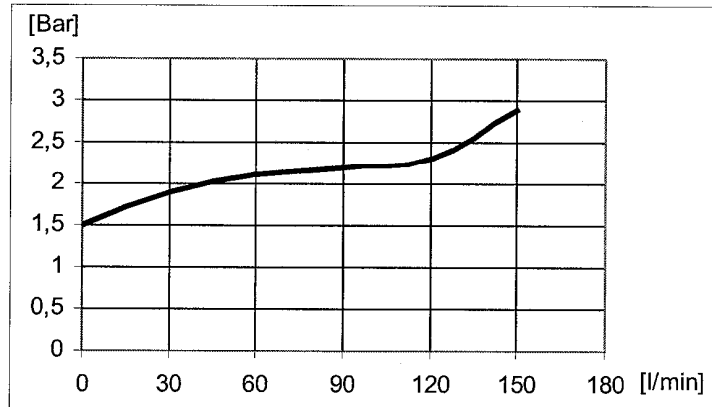
Technical data

Description	Data
Maximum inlet pressure	140 bar
Test pressure for external leaks	210 bar
Maximum flow ¹⁾	150 l/min
Opening pressure	1.5 bar
Pressure drop at max. flow	2.8 bar
Opening time at max. flow NC (Solenoid operated)	400 ms
Closing time at max flow NC (Solenoid operated)	900 ms
Internal leakage at pressure >10 bar	0 ml/min (drip proof)
Max. Viscosity	45 cSt.
Enclosure (coil)	IP 67

¹⁾ For higher flows contact Danfoss sales organisation

Pressure drop graph

Pressure drop versus flow for VDHT 1" EAM 2/2.



Ordering code numbers

Valves

Type of valve (NC)	Description	Weight	Ordering code
Single valve with 3/4" IN & 3/4" OUT	VDHT 3/4" EAM 2/2	2.2 kg	180L0122
Single valve with 1" IN & 1" OUT	VDHT 1" EAM 2/2	2.2 kg	180L0110
2' Block valve with 3/4" IN & 1/2" OUT	VDHT BLM2 3/4 - 1/2	5.6 kg	180L0164
3' Block valve with 3/4" IN & 1/2" OUT	VDHT BLM3 3/4 - 1/2	8.2 kg	180L0165
4' Block valve with 3/4" IN & 1/2" OUT	VDHT BLM4 3/4 - 1/2	10.8 kg	180L0166
2' Block valve with 3/4" IN & 3/4" OUT	VDHT BLM2 3/4 - 3/4	5.6 kg	180L0167
3' Block valve with 3/4" IN & 3/4" OUT	VDHT BLM3 3/4 - 3/4	8.2 kg	180L0168
4' Block valve with 3/4" IN & 3/4" OUT	VDHT BLM4 3/4 - 3/4	10.8 kg	180L0169

Accessories (ordered separately)

Type	Description	Weight	Ordering code
Mounting bracket for micro switch (Telemecanique XCK-P121)	Bracket kit VDHT M	0.2 kg	

Coils (ordered separately)

Coil voltage	Power consumption	Enclosure	Weight	Ordering Code (NC)
24 Volt AC / 50 Hz	10 Watt	IP 67	0.3 kg	018Z7920
220/230 Volt AC / 50 Hz	10 Watt	IP 67	0.3 kg	018Z7921
240/250 Volt AC / 50 Hz	10 Watt	IP 67	0.3 kg	018Z7924
24 Volt AC / 60 Hz	10 Watt	IP 67	0.3 kg	018Z7922
110 Volt AC / 50/60 Hz	10 Watt	IP 67	0.3 kg	018Z7923
220/230 Volt AC / 60 Hz	10 Watt	IP 67	0.3 kg	018Z7925
240/250 Volt AC / 60 Hz	10 Watt	IP 67	0.3 kg	018Z7926
12 Volt DC	18 Watt	IP 67	0.3 kg	018Z7913
24 Volt DC	18 Watt	IP 67	0.3 kg	018Z7914
220 Volt AC / 50 Hz	10 Watt	Eex / IP67	0.6 kg	018Z7926
24 Volt DC	10 Watt	Eex / IP67	0.6 kg	018Z7993

Spare parts

Spare parts	Weight	Ordering Code
Armature kit (NC)	0,2	180L5002
Poppet spare part VDHT	0,5	180Z0015
Seal kit coil (NC)	0,1	018Z0093

tyco

*Fire & Integrated
Solutions*

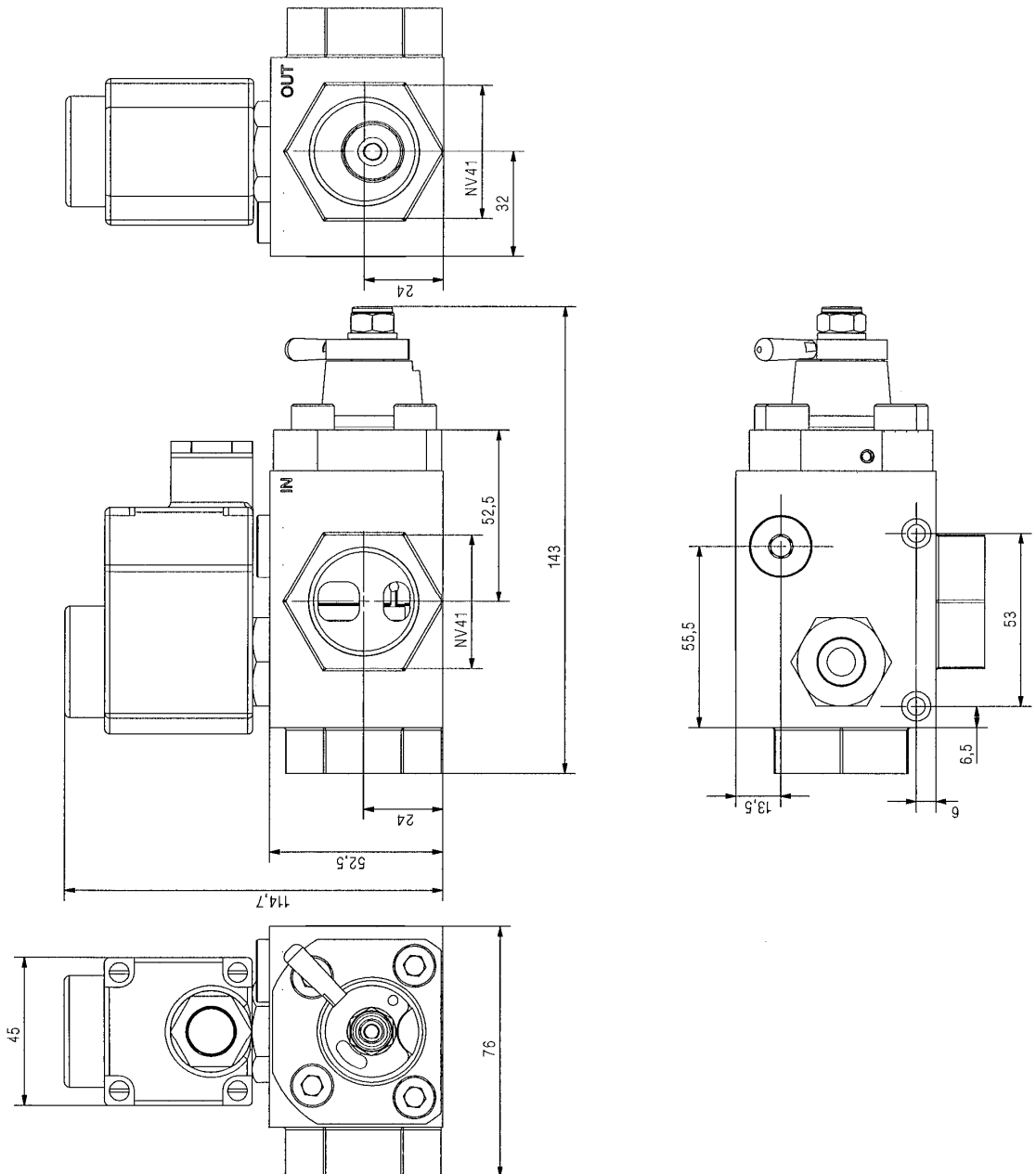
**HIGH PRESSURE WATER MIST
COMPONENT DATA SHEET**

**VDHT Section Valves
Data Sheet Number – 40**

**Issue Date
APRIL
2009**

**Page
4 of 7**

Dimensional drawings



tyco

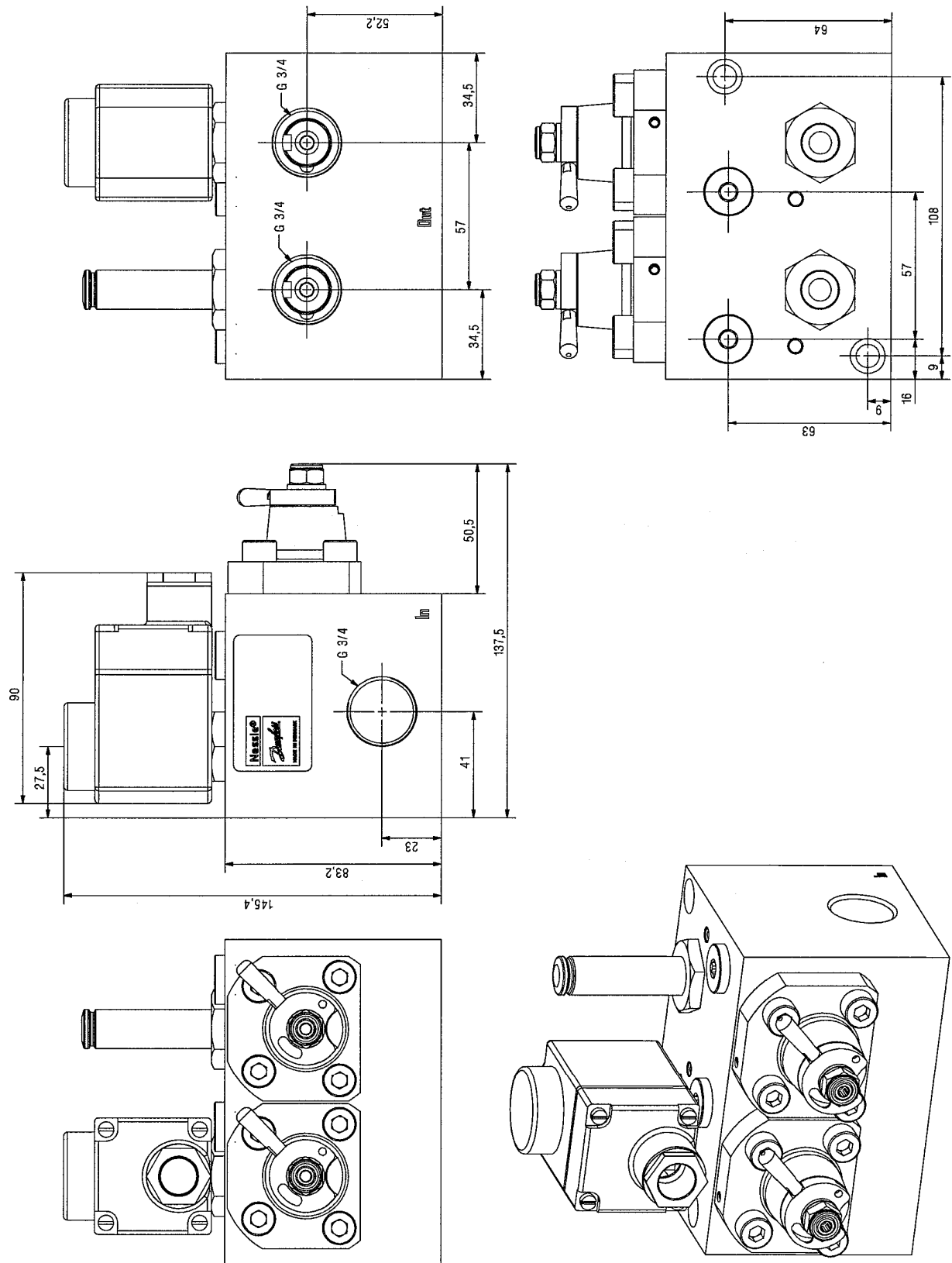
*Fire & Integrated
Solutions*

**HIGH PRESSURE WATER MIST
COMPONENT DATA SHEET**

**VDHT Section Valves
Data Sheet Number – 40**

**Issue Date
APRIL
2009**

**Page
5 of 7**



tyco

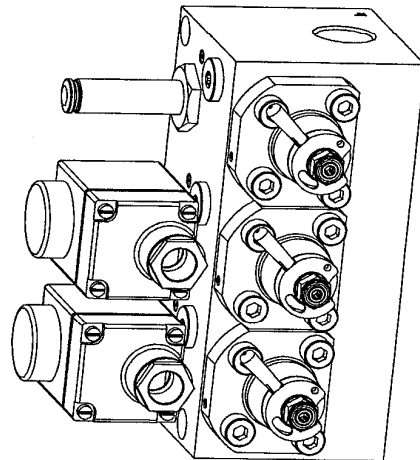
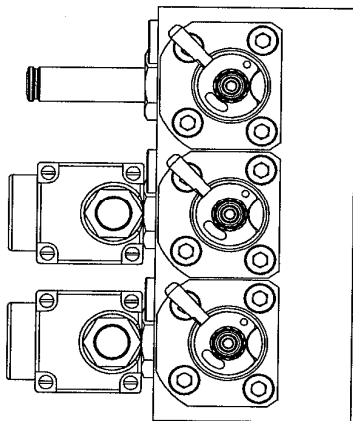
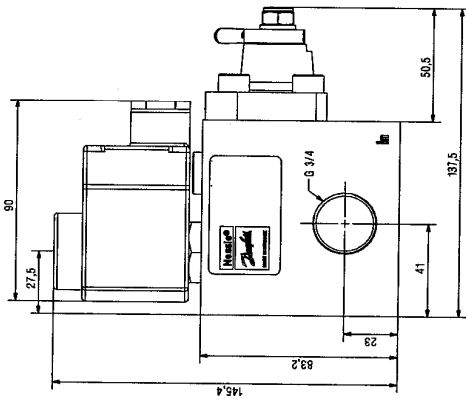
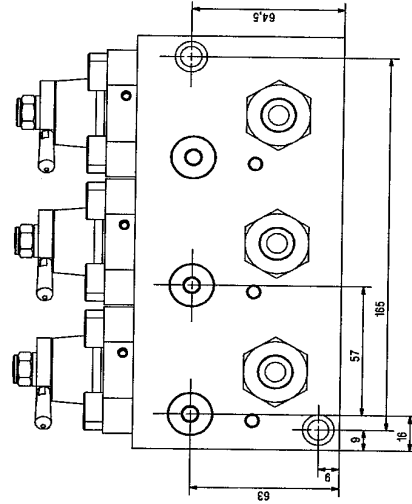
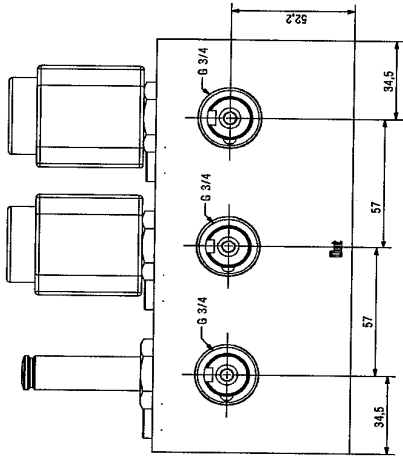
*Fire & Integrated
Solutions*

**HIGH PRESSURE WATER MIST
COMPONENT DATA SHEET**

**VDHT Section Valves
Data Sheet Number – 40**

**Issue Date
APRIL
2009**

**Page
6 of 7**



tyco

*Fire & Integrated
Solutions*

HIGH PRESSURE WATER MIST COMPONENT DATA SHEET

VDHT Section Valves
Data Sheet Number – 40

Issue Date
APRIL
2009

Page
7 of 7

