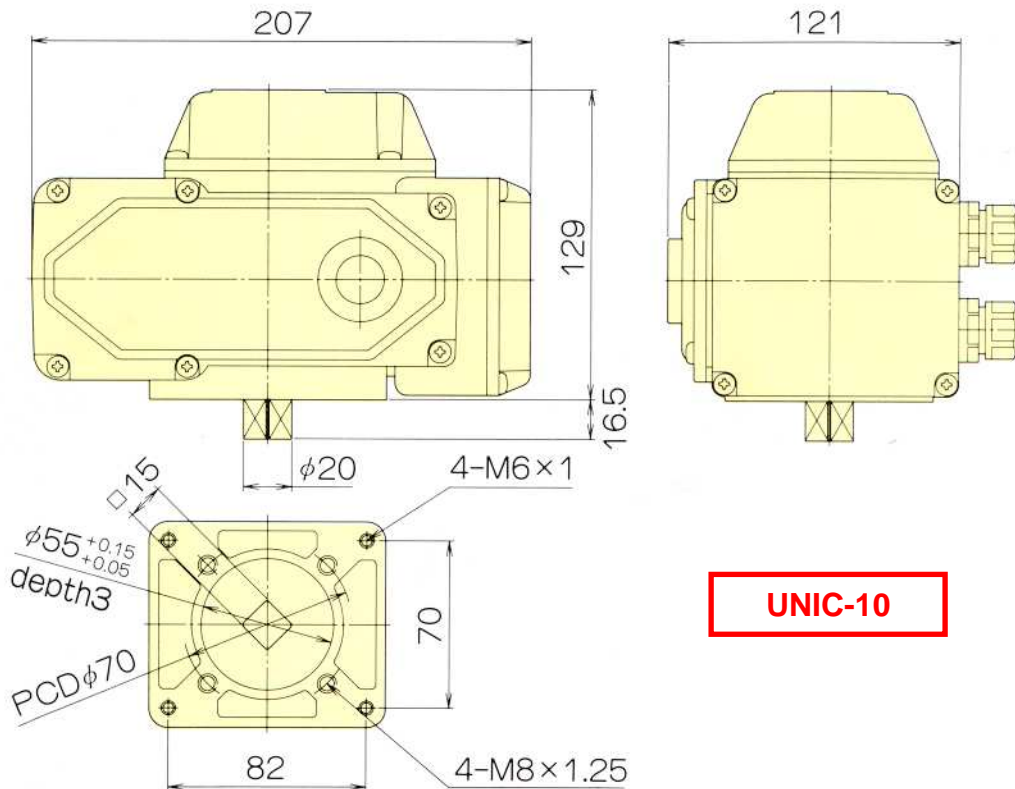


MicroDrop®



ROTORARY TYPE UNIC SERIES

	UNIC-10	UNIC-20	UNIC-40	UNIC-60	UNIC-100	UNIC-150
OUTPUT SHAFT TORQUE	10kgf.m	20kgf.m	40kgf.m	60kgf.m	100kgf.m	150kgf.m
POWER SOURCE	AC 100V/200V/110V/220V 1-PH 50/60Hz					
OPERATION ANGLE	0-90°C					
TRAVEL SPEED	30sec. at 50Hz					
DRIVING MOTOR	20W	30W	90W	90W	100W	100W
THERMAL PROTECTOR	Built-in/ auto. reset type					
AMBIENT TEMPERATURE	-25°C to +55°C					
INSULATION RESISTANCE	100 MΩ (500V DC)					
VOLTAGE	1,500V AC/minute					
MANUAL OPERATION	Detachable crank handle (Standard accessory)					
STOPPER	In power operation : Full open/close limit switches In manual operation : Mechanical stopper					
DRIP PROOF	To IP55					
MOUNTING ANGLE	ALL direction					
BODY MATERIAL	Diecast aluminum alloy ADC-12					
WEIGHT	4.5kg	7.8kg	8.5kg	20kg	21kg	22kg
WIRING CONDUIT	PF1/2x2 water proof resin conduit					

