

MicroDrop®

**Design and function**

The relief valve is used for protecting the components of a system against overload as a result of a pressure peak. Further, the valve is designed for controlling / limiting the system pressure by draining off the surplus water from the pressure side.

The valve is designed for tap water, i.e. without additives of any kind to the medium. (EU-drinking water directive 80/778).

Features

- Excellent functional characteristics.
- Surface easy to clean.
- Corrosion-proof parts (stainless steel, AISI 304, W. No. 1.4301).

Variants

The valves are available in two sizes:

- 60 l/min.
- 120 l/min.

Standard versions made of rustproof steel AISI 304/W. No. 1.4301. Upon request also available in versions made of stainless steel AISI 316L/W No. 1.4401

The relief valves are available with two pressure ranges:

- 25 - 80 bar
- 80 - 140 bar.

Filtration

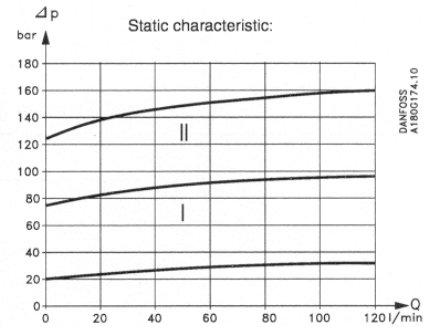
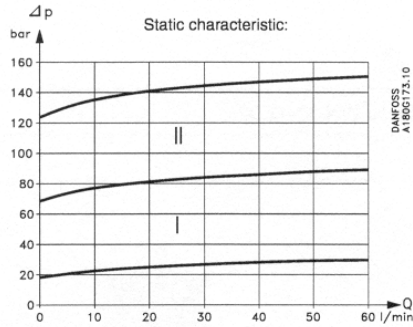
The Water must be clean (according to the EU drinking water directives 80/778) and must be free from sediments.

Nessie® is a trademark of
Danfoss A/S

Technical data

Max. flow: 60 l/min
Pressure setting range:
25 - 80 bar (I), alt.
80 - 140 bar (II)

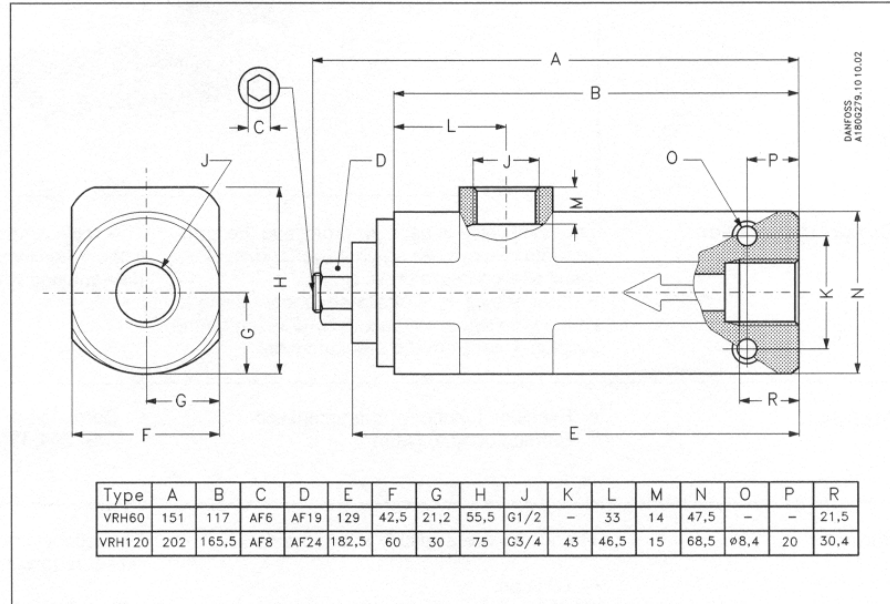
Max. flow: 120 l/min
Pressure setting range:
25 - 80 bar (I), alt.
80 - 140 bar (II)



Mounting

The valve is mounted in-line and fixed by means of the system's piping or fastened (only VRH 120) by means of the two ø8.5 mm holes in the valve.

Dimensions



Code numbers

VRH 60, 25 - 80 bar setting	180G0002
VRH 60, 80 - 140 bar setting	180G0003
VRH 120, 25 - 80 bar setting	180G0020
VRH 120, 80 - 140 bar setting	180G0021