

MicroDrop®

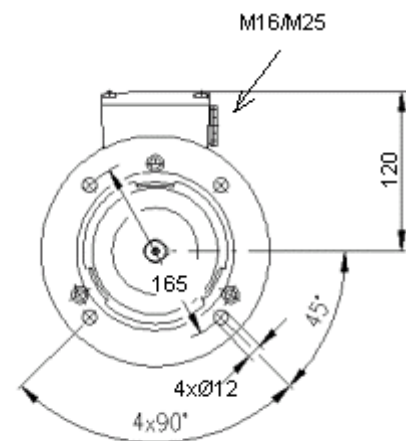
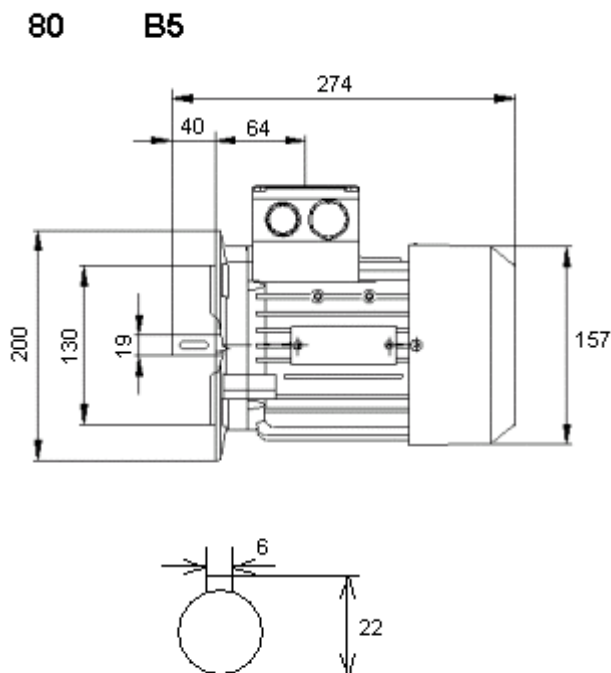
PILOT PUMP

7AA80M04K

SIMENS-MEZ, INSULATION CLASS F, IP 55

Output	0,55 Kw	Voltage	400V	Frequency	50Hz
Speed	13950/min.	Current (In)	1,45A	Mass	8Kg
Torque	3,7Nm	Efficiency	67,0%	Duty	S1
Noise	51,0db(A)	Cos f	0,82	Start C Duty C	

	Startcurrent	Starttorque	Max. torque	Brake
Factor	3,9	2,2	2,2	
Calculated	5,66A	8,1Nm	8,1Nm	



Lejer = 6004 2Z C3