

MicroDrop®

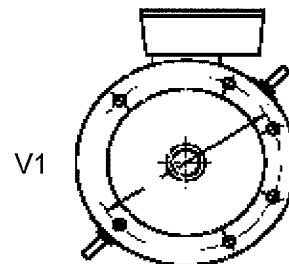
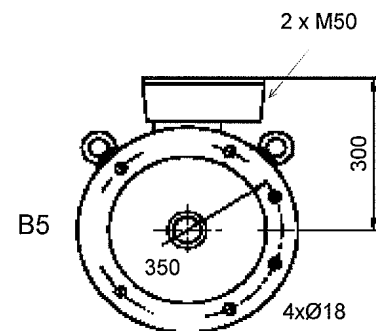
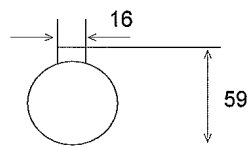
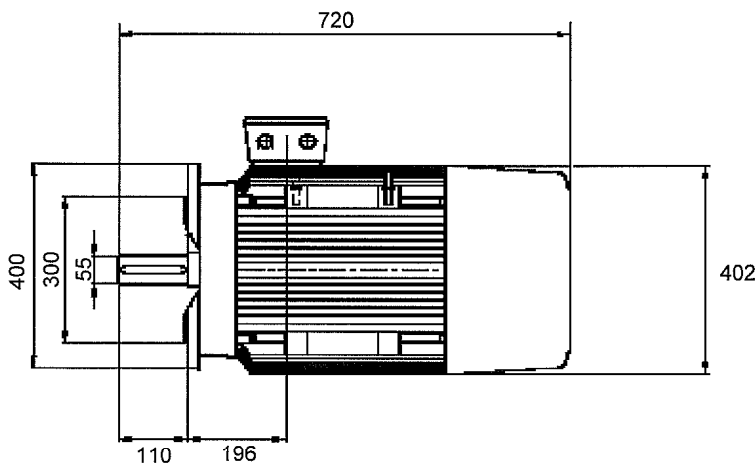
PAH100

14BG208-4AA

Output	37,00 Kw	Voltage	400 V	Frequency	50 Hz
Speed	1465 O/min.	Current (In)	70,00 A	Mass	230 Kg
Torque	241,0 Nm	Efficiency	92,5 %	Duty	S1
Noise	66,0 db(A)	Cos f	0,83	Start C Duty C	

	Startcurrent	Starttorque	Max. torque	Brake
Factor	6,5	2,6	3,0	
Calculated	455,00 A	626,6 Nm	723,0 Nm	

200L B5



Lejer = 2 x 6212 Z C3