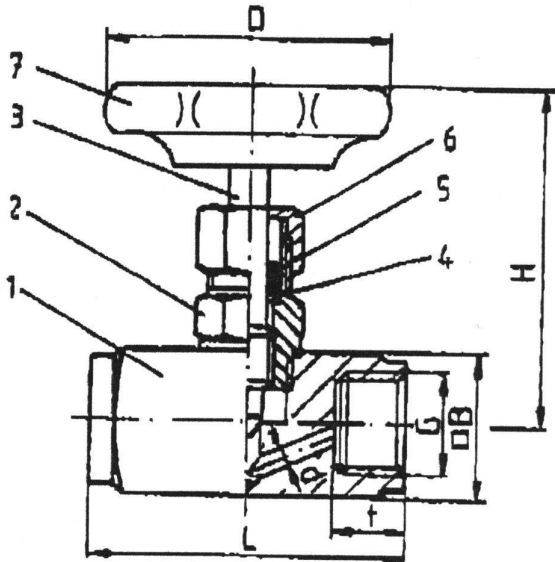


MicroDrop[®]



General Data

Valve conn. : Hexagon nipple
 Connection : G 1/8" – G 2"
 Pressure : 200 BAR.
 Working Temp. : max. 350°C.
 Note : Withworth thread
 DIN 259

Materials and part list:

Pos.	Description	Material Steel	Material Stainless Steel
1	House	9 S 20 K	1.4571
2	Connector	9 S 20 K	1.4571
3	Spindle	1.4104	1.4571
4	Packing ring	1.4104	1.4571
5	Spindle packing	Graphite	Teflon
6	Packing nut	9 S 20 K	1.4571
7	Handle	Moulding mat.	Moulding mat.

Thread	L	H	D	t	B	SWi	D
G 1/8"	45	70	50	11	25	22	4
G 1/4"	50	72	50	13	25	22	5
G 3/8"	55	72	50	13	25	22	6
G 1/2"	60	72	63	16	30	22	7
G 3/4"	75	95	63	18	35	27	9
G 1"	100	110	90	22	45	32	12
G 1 1/4"	110	130	100	24	60	41	15
G 1 1/2"	130	140	100	28	70	41	22
G 2"	130	140	100	28	70	41	22