

**tyco**

Fire & Integrated Solutions

**HIGH PRESSURE WATER MIST COMPONENT DATA SHEET**

High Pressure Ball Valves Main Isolating Valve and Test Valve  
Data Sheet Number - 12

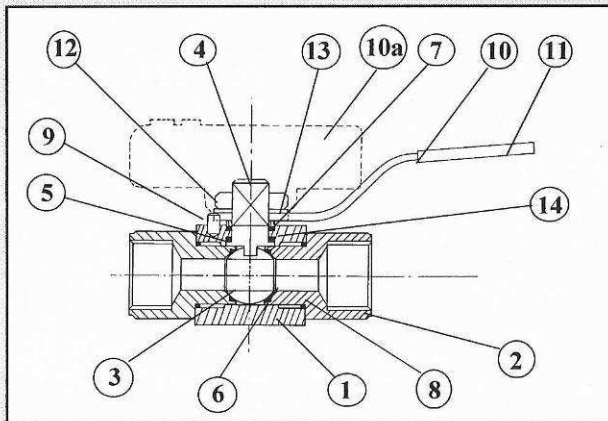
Issue Date  
APRIL 2009

Page 1 of 2

**MicroDrop<sup>®</sup>**



**MATERIALS of CONSTRUCTION - 316 Stainless Steel**



ITEM	COMPONENT	MATERIAL
1	BODY	316 S 11 *
2	END CONNECTORS	316 S 11 *
3	BALL	316 S 11 *
4	STEM	316 S 11 *
5	STEM SEAL	RTFE
6	SEATS	PTFE / PVDF
7	TOP SEAL	RTFE
8	BODY SEAL	PTFE
9	PIN	STAINLESS STEEL
10	LEVER HANDLE	STAINLESS STEEL
10a	POINTER HANDLE	MAZAK 3
11	HANDLE SLEEVE	PVC
12	NUT	A2 ss
13	WASHER	A2 ss
14	SPACER	316 SS

Sample Part Number **HP 15 N S - Lk**

1/2" NPT 316 St. St. Ball Valve - 6,000 psi/Pn 408 Rated fitted with Lever handle and Locking Kit.

**VALVE PART NUMBER and ORDERING TABLE**

Valve Series	Size	Threads	* Material	Handle	Options
<b>H</b> 1,000 psi/Pn 68	08 - 1/4"	<b>N - NPT</b>  <b>P - BSPP</b>  <b>T - BSPT</b>	<b>A - Ali-Bronze</b> <b>C - C/Steel</b> <b>D - Duplex SS</b> <b>H - Hasteloy</b> <b>I - Incoloy</b>	<b>-PH Pointer</b> <b>-SH Spanner</b> <b>. Flat Handle</b>	<b>-SR Spring Return</b> <b>-DA Double Acting</b> <b>-AE Electric</b> <b>-PM Panel Mount</b> <b>-Lk Locking</b> <b>-ACT Actuator use</b> <b>-EP Ends Pinned</b>
	10 - 3/8"				
	15 - 1/2"				
	20 - 3/4"				
<b>HP</b> 6,000 psi/Pn408	25 - 1"	<b>C1 - SINGLE FERRULE</b>  <b>C2 - TWIN FERRULE</b>  <b>F - FLANGED</b>	<b>M - Monel</b> <b>S - 316 SS</b> <b>T - Titanium</b> <b>Z - Zirconium</b> <b>X - SPECIAL</b>		
	32 - 1 1/4"				
	40 - 1 1/2"				
	50 - 2"				

Prefix Valve Part Number with 'F' for FULL BORE e.g. H15NS Becomes FH15NS  
All Stainless Steel Valves have Stainless Steel Lever Handles as standard

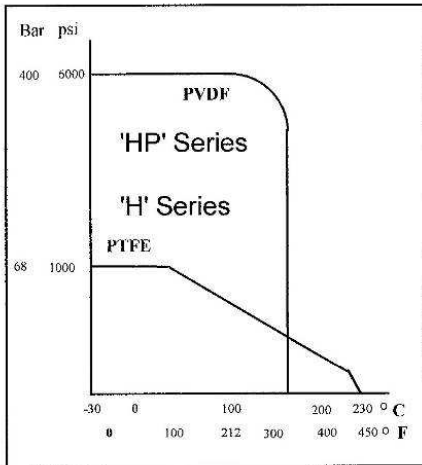
Fseries - 12/97

Table of dimension

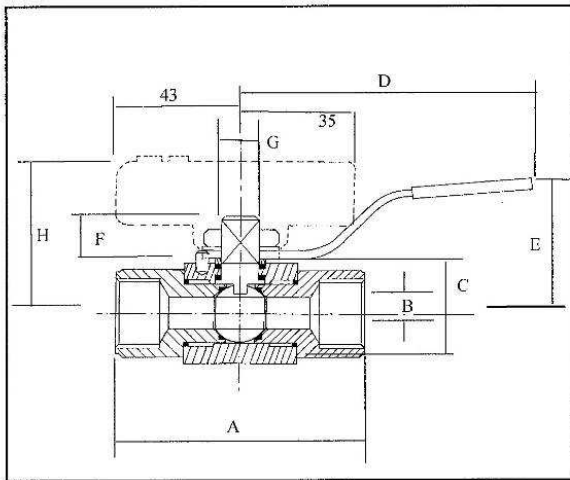
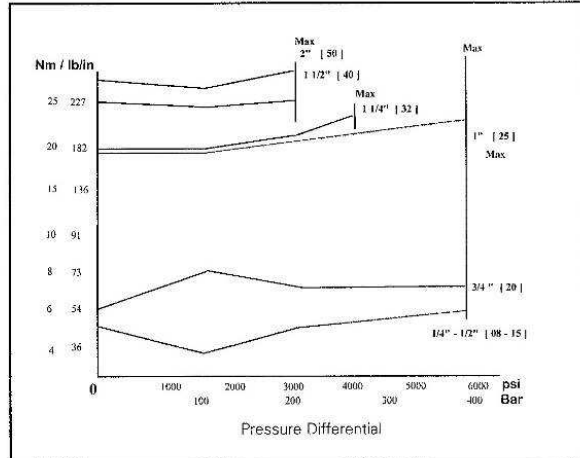
**TECHNICAL SPECIFICATIONS SHEET**

**'H' Series BALL VALVES**

**PRESSURE/TEMPERATURE GRAPH**

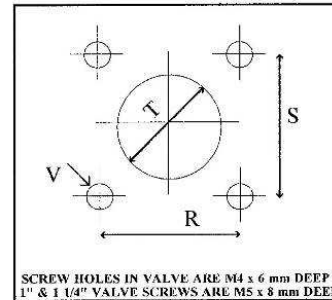


**TORQUE INFORMATION**



**PANEL MOUNT DETAILS \***

\* Option to be specified when ordering



Valve Size	VALVE SIZES and DIMENSION TABLE [inch] Rounded for clarity										WEIGHT Kgs	CV US Gpm			
	A		B ø	C Sq	D	E	F	G Sq	H	Panel Mount Dimensions					
	BSPP	TAPER								R			S	T ø	V ø
08 - 1/4"	71	71	10	32	115	45	16	8.5	49	26	26	30	5	0.45	7.5
10 - 3/8"	75	77	10	32	115	45	16	8.5	49	26	26	30	5	0.46	7.5
15 - 1/2"	82	85	10	32	115	45	16	8.5	49	26	26	30	5	0.50	7.5
20 - 3/4"	90	90	12.7	38	115	50	15	8.5	52	26	26	30	5	0.70	12.0
25 - 1"	109	111	20	50	165	60	27	12.5		40	40	40	6	1.45	32.0
32-1 1/4"	117	121	25	60 ø	165	65	24	12.5		44	44	44	6	1.75	46.0
40-1 1/2"	135	135	32	70 ø	165	70	26	12.5						3.0	80.0
50 - 2"	160	160	38	82 ø	165	76	27	12.5						3.5	105.0

We reserve the right to change specifications stated in this leaflet due to our continuing programme of development. FULL BORE Valves, use the dimensions of the next larger size. ie for 32 - 1 1/4" Full Bore use 40 - 1 1/2" Dimensions. Valve seats are tested at 10% above rated pressure [ BS 6755]. Using any higher test pressure will damage the seats. se the valve half open on system tests above seat rated pressures. - 40 - 1 1/2" & 50 - 2" Valves are of 2 piece construction. Dimensions are the same for all pressure rating ie H and HP Series.