



High Performance Metal Column Loudspeakers

MUS20/TC

The MUS range of robust column loudspeaker cabinets are manufactured in high grade extruded aluminium with die cast end caps and swivel brackets. The units have been designed with impregnated tuned cones, to give both excellent voice and music reproduction, both indoors and out.

Ideal for use in airports, railway stations, churches, factories, sports and conference centres etc., all models are BS5839 Part 8 compliant for use in voice alarm applications

Available in 20 and 40 Watt versions, three units come complete with external variable tapping selection.

Technical Specification

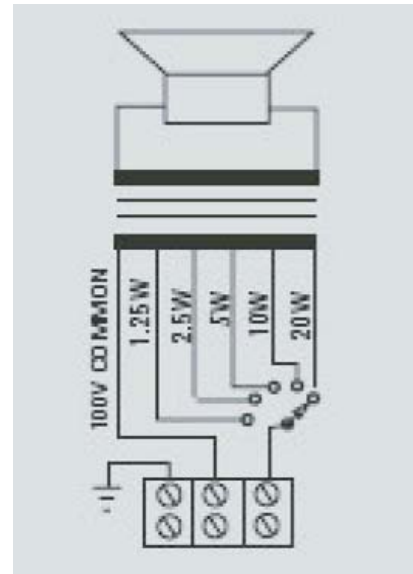
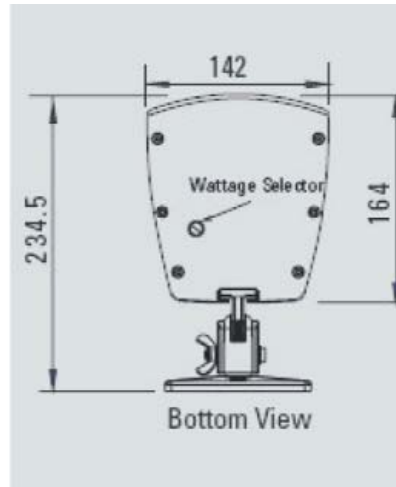
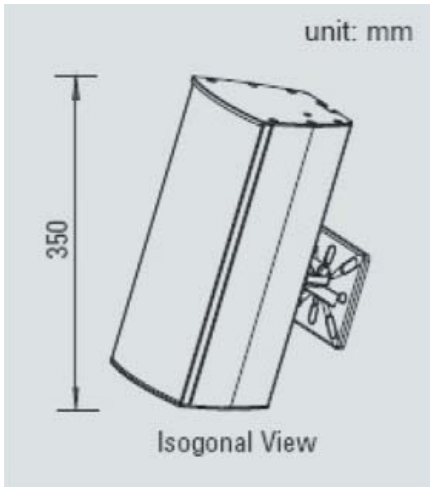
Rated power, Watts	20
Tappings 100 Volt line, Watts	20/ 10/ 5/ 2.5
Transformer Impedance, Ohms, 100V	500/ 1k/ 2k/ 4k/8k
Tappings 70.7 Volt line Watts	10/ 5/ 2.5/ 1.25
Driver Impedance, Ohms	8
Effective frequency range, Hz (BS6840)	100 - 10,000
S.P.L. @ 1m, 1 Watt, dB, Test Signal	
Bandwidth 100Hz-10kHz	93
S.P.L. @ Full Power Octave Bandwidth, dB	97
Acoustic Power (dB-PWL@1 Watt) 1k/2kHz	90/88
Dispersion at 1k/2kHz, Degrees	170/120 (horizontal) 80/40(vertical)
Directivity Axial Q factor, 1k/2kHz	5.20/10.10
Dimensions, front & depth, mm	350 x 142 x 164
Net weight, kgs	4.70, bracket: 0.56
Colour/Finish	White RAL9016
Material	Aluminium
Mounting	Die cast metal swivel bracket

tyco

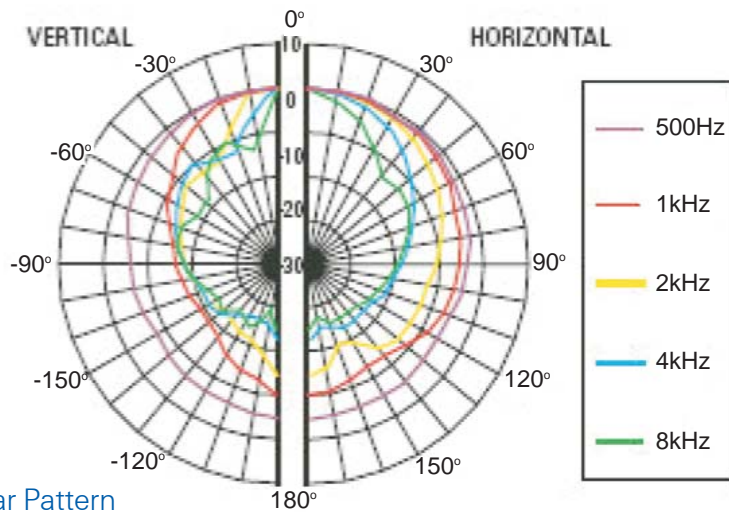
*Fire & Integrated
Solutions*

a vital part of your world

SPECIFICATIONS

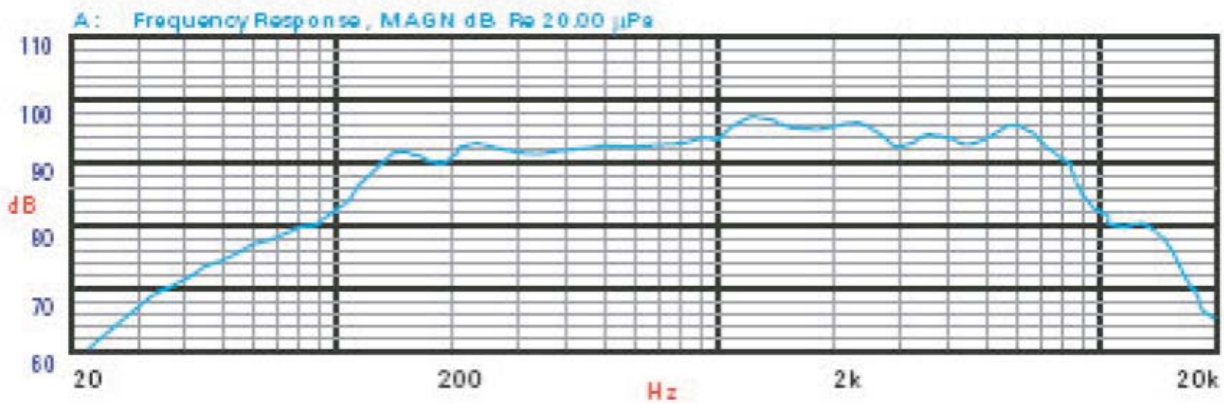


Circuit Diagram



Polar Pattern

Frequency Response



For further information on how we can help you please visit our website at www.tycofis.com or e-mail us on tycofis@tycoint.com. The right is reserved to modify or withdraw any product or service without notice. PSPV092TFIS Issue 1 March 2007 © 2007

tyco

Fire & Integrated
Solutions

a vital part of your world