



# High Performance Metal Column Loudspeakers

## MUS20/TC

The MUS range of robust column loudspeaker cabinets are manufactured in high grade extruded aluminium with die cast end caps and swivel brackets. The units have been designed with impregnated tuned cones, to give both excellent voice and music reproduction, both indoors and out.

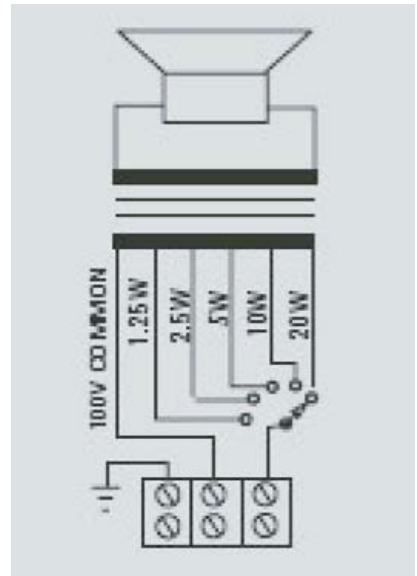
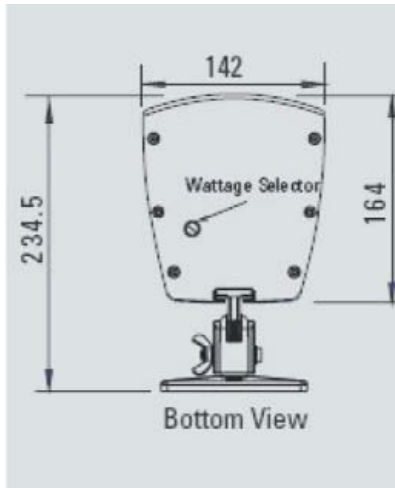
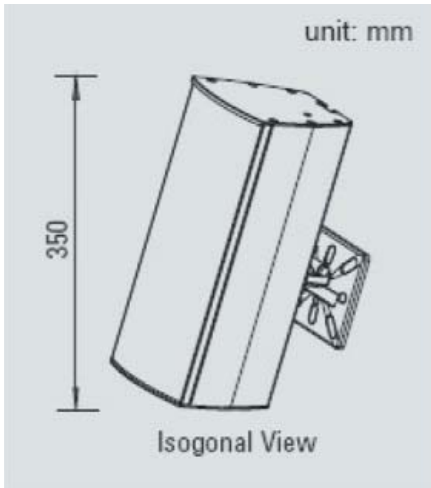
Ideal for use in airports, railway stations, churches, factories, sports and conference centres etc., all models are BS5839 Part 8 compliant for use in voice alarm applications

Available in 20 and 40 Watt versions, three units come complete with external variable tapping selection.

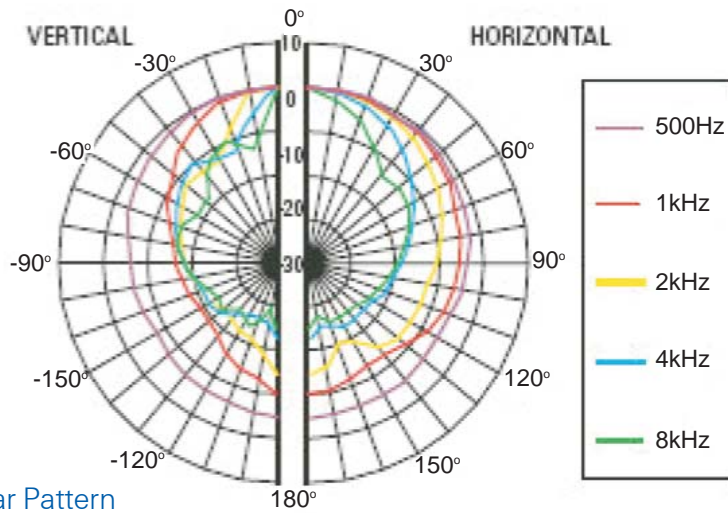
### Technical Specification

Rated power, Watts	20
Tappings 100 Volt line, Watts	20/ 10/ 5/ 2.5
Transformer Impedance, Ohms, 100V	500/ 1k/ 2k/ 4k/8k
Tappings 70.7 Volt line Watts	10/ 5/ 2.5/ 1.25
Driver Impedance, Ohms	8
Effective frequency range, Hz (BS6840)	100 - 10,000
S.P.L. @ 1m, 1 Watt, dB, Test Signal	
Bandwidth 100Hz-10kHz	93
S.P.L. @ Full Power Octave Bandwidth, dB	97
Acoustic Power (dB-PWL@1 Watt) 1k/2kHz	90/88
Dispersion at 1k/2kHz, Degrees	170/120 (horizontal) 80/40(vertical)
Directivity Axial Q factor, 1k/2kHz	5.20/10.10
Dimensions, front & depth, mm	350 x 142 x 164
Net weight, kgs	4.70, bracket: 0.56
Colour/Finish	White RAL9016
Material	Aluminium
Mounting	Die cast metal swivel bracket

# MUS20/TC

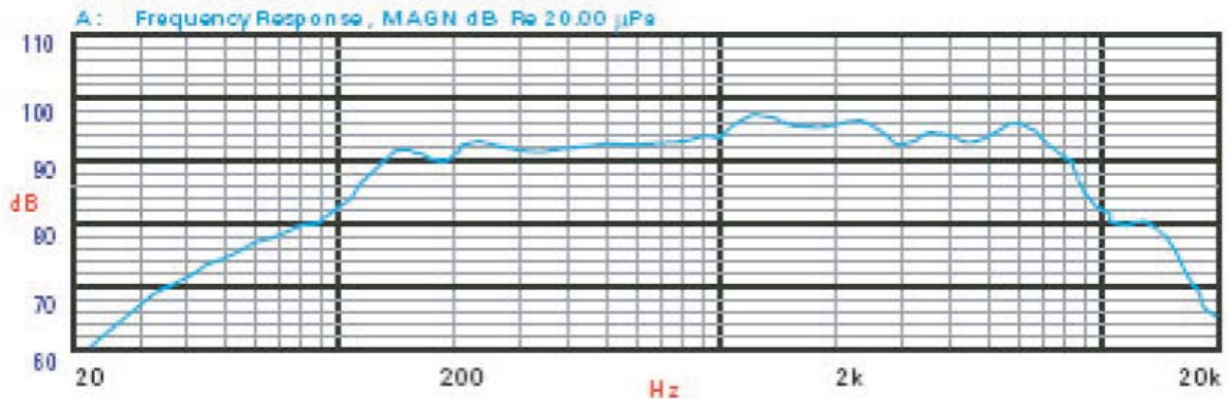


Circuit Diagram



Polar Pattern

Frequency Response



For further information on how ADT can help you, contact your local office or phone free on **0800 010 999** or visit us at [www.adt.co.uk](http://www.adt.co.uk)

Head Office: ADT Fire and Security plc, Security House, The Summit, Hanworth Road, Sunbury-on-Thames, Middlesex TW16 5DB.

ADT and the ADT logo are registered trademarks of ADT Services AG and are used under license.

ADT reserves the right to modify or withdraw any product or service without notice.

