



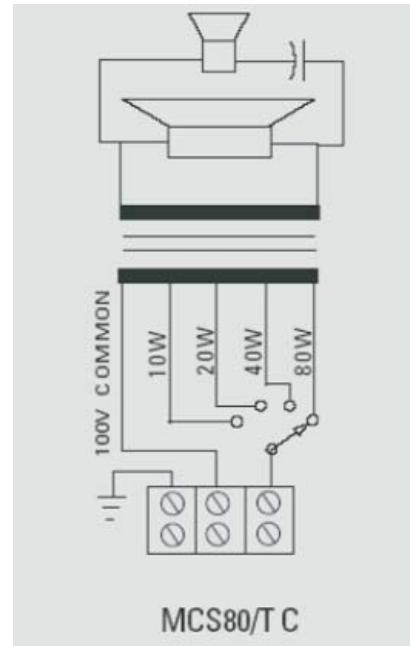
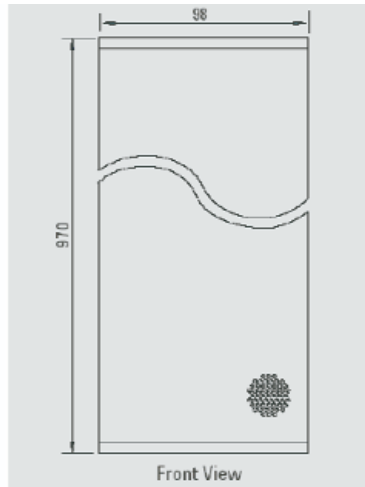
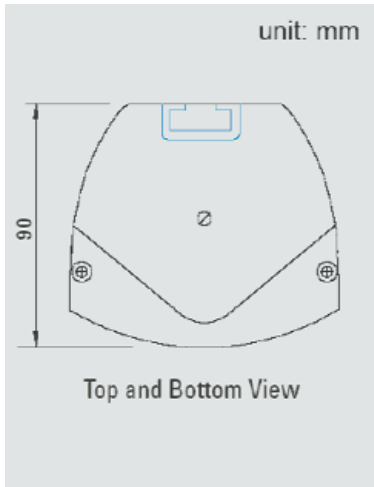
Metal Column Loudspeakers

MCS80/TC

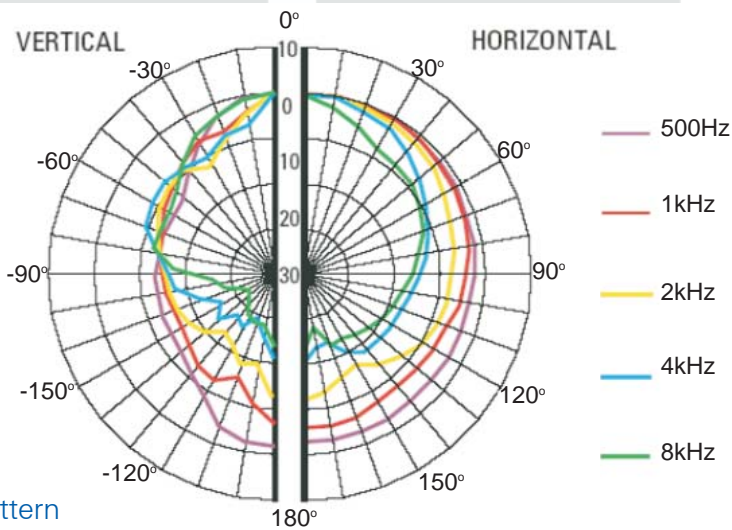
Technical Specification

Rated power, Watts	80
Tappings 100 Volt line, Watts	80/ 40/ 20/ 10
Transformer Impedance, Ohms, 100V	125/ 250/ 500/1k
Tappings 70.7 Volt line Watts	40/ 20/ 10/ 5
Driver Impedance, Ohms	4
Effective frequency range, Hz (BS6840)	180 - 18,000
S.P.L. @ 1m, 1 Watt, dB, Test Signal	
Bandwidth 100Hz-10kHz	97
S.P.L. @ Full Power Octave Bandwidth, dB	115
Acoustic Power (dB-PWL@1 Watt) 1k/2kHz	92/94
Dispersion at 1k/2kHz, Degrees	180/140 (horizontal) 70/45 (vertical)
Directivity Axial Q factor, 1k/2kHz	4.20/6.80
Drive units	8 x 75mm cone drivers, 1 x HF unit
Dimensions, front & depth, mm	970 x 98 x 90
Net weight, kgs	6
Colour/Finish	White RAL9016
Material	Aluminium
Mounting	Steel L bracket

SPECIFICATIONS

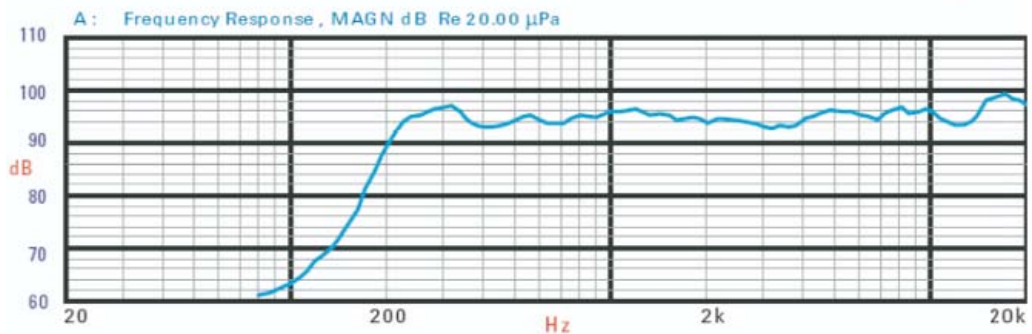


Circuit Diagram



Frequency Response

Polar Pattern



Ordering Information

Reference	Part Number	Description
MCS80/TC	570.503.031	80W Metal Column Speaker, BS5839 Part 8 Compliant

For further information on how we can help you please visit our website at www.tycofis.com or e-mail us on tycofis@tycofis.com. The right is reserved to modify or withdraw any product or service without notice. PSPV091TFIS Issue 1 March 2007 © 2007

tyco

Fire & Integrated
Solutions

a vital part of your world