



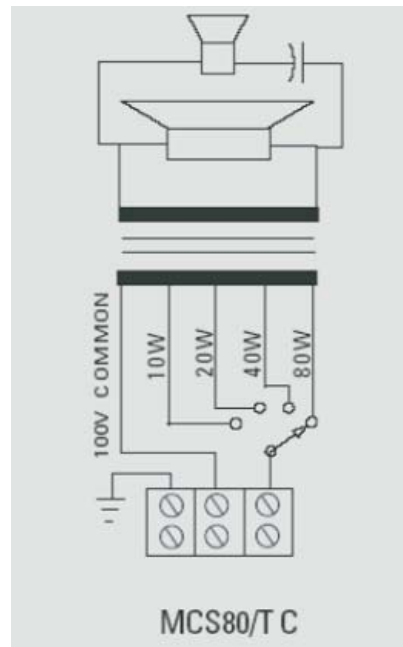
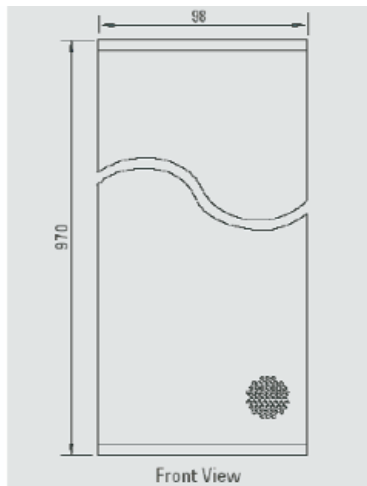
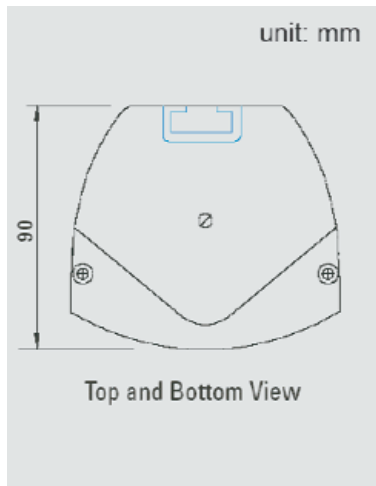
Metal Column Loudspeakers

MCS80/TC

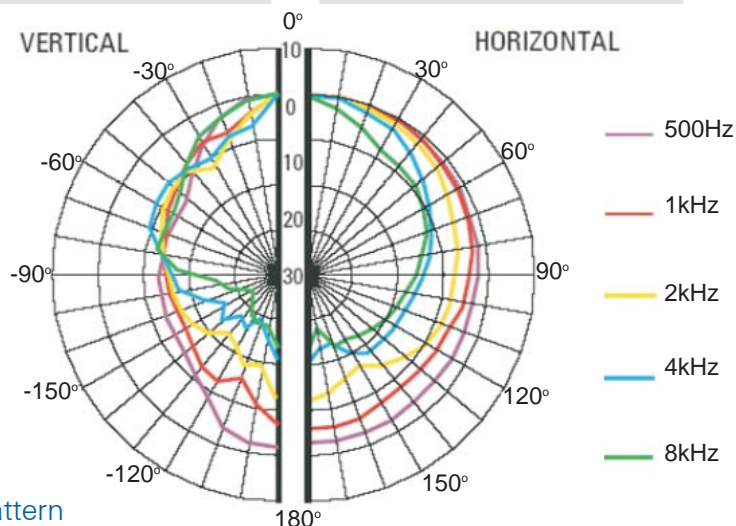
Technical Specification

Rated power, Watts	80
Tappings 100 Volt line, Watts	80/ 40/ 20/ 10
Transformer Impedance, Ohms, 100V	125/ 250/ 500/1k
Tappings 70.7 Volt line Watts	40/ 20/ 10/ 5
Driver Impedance, Ohms	4
Effective frequency range, Hz (BS6840)	180 - 18,000
S.P.L. @ 1m, 1 Watt, dB, Test Signal	
Bandwidth 100Hz-10kHz	97
S.P.L. @ Full Power Octave Bandwidth, dB	115
Acoustic Power (dB-PWL@1 Watt) 1k/2kHz	92/94
Dispersion at 1k/2kHz, Degrees	180/140 (horizontal) 70/45 (vertical)
Directivity Axial Q factor, 1k/2kHz	4.20/6.80
Drive units	8 x 75mm cone drivers, 1 x HF unit
Dimensions, front & depth, mm	970 x 98 x 90
Net weight, kgs	6
Colour/Finish	White RAL9016
Material	Aluminium
Mounting	Steel L bracket

MCS80/TC

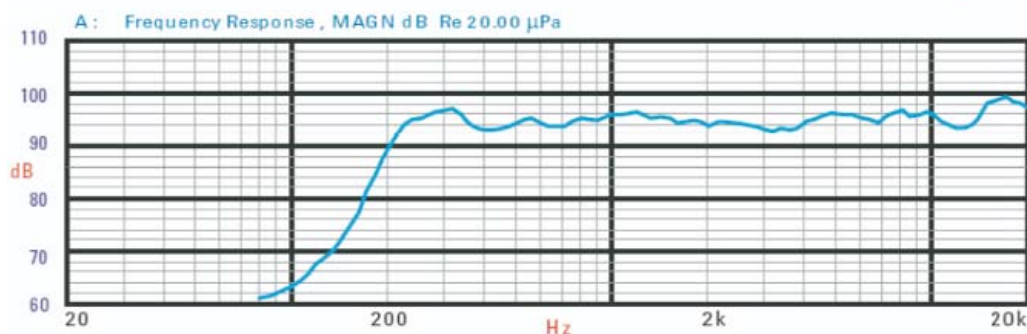


Circuit Diagram



Polar Pattern

Frequency Response



Ordering Information

Reference	Part Number	Description
MCS80/TC	570.503.031	80W Metal Column Speaker, BS5839 Part 8 Compliant

For further information on how ADT can help you, contact your local office or phone free on **0800 010 999** or visit us at www.adt.co.uk

Head Office: ADT Fire and Security plc, Security House, The Summit, Hanworth Road, Sunbury-on-Thames, Middlesex TW16 5DB.

ADT and the ADT logo are registered trademarks of ADT Services AG and are used under license.

ADT reserves the right to modify or withdraw any product or service without notice.

