



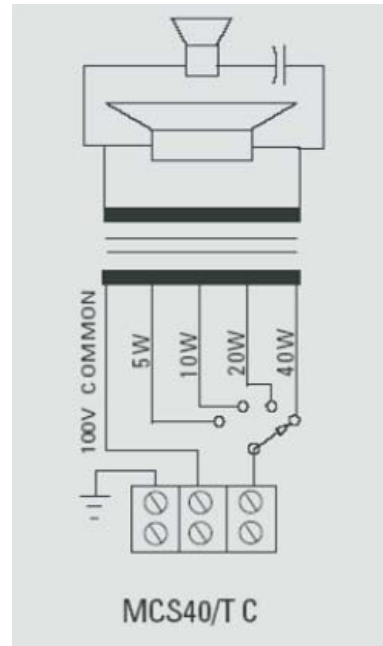
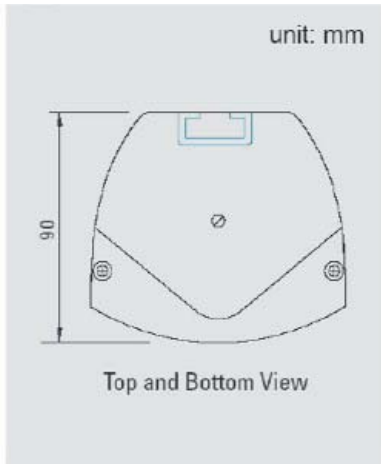
Metal Column Loudspeakers

MCS40/TC

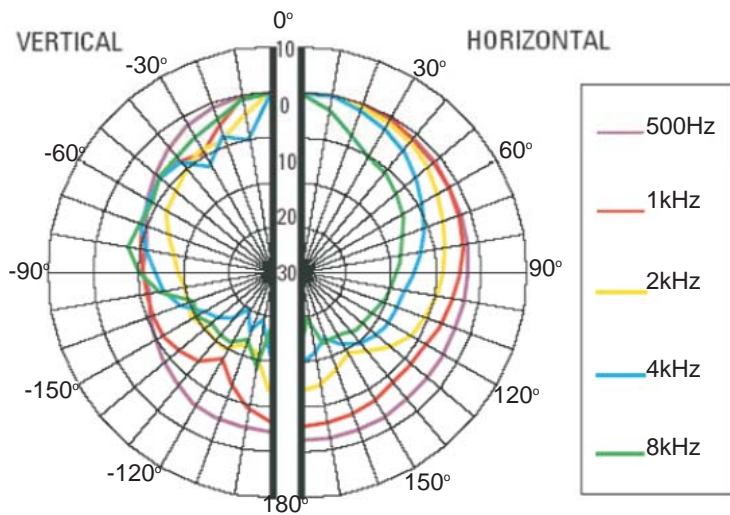
Technical Specification

Rated power, Watts	40
Tappings 100 Volt line, Watts	40/ 20/ 10/ 10/ 5
Transformer Impedance, Ohms, 100V	250/500/ 1k/ 2k
Tappings 70.7 Volt line Watts	20/ 10/ 5/ 2.5
Driver Impedance, Ohms	8
Effective frequency range, Hz (BS6840)	170 - 18,000
S.P.L. @ 1m, 1 Watt, dB, Test Signal	
Bandwidth 100Hz-10kHz	92
S.P.L. @ Full Power Octave Bandwidth, dB	108
Acoustic Power (dB-PWL@1 Watt) 1k/2kHz	97/89
Dispersion at 1k/2kHz, Degrees	170/140 (horizontal) 66/55 (vertical)
Directivity Axial Q factor, 1k/2kHz	4.10/7.40
Drive units	4 x 75mm cone drivers, 1 x HF unit
Dimensions, front & depth, mm	615 x 98 x 90
Net weight, kgs	3.80
Colour/Finish	White RAL9016
Material	Aluminium
Mounting	Steel L bracket

SPECIFICATIONS

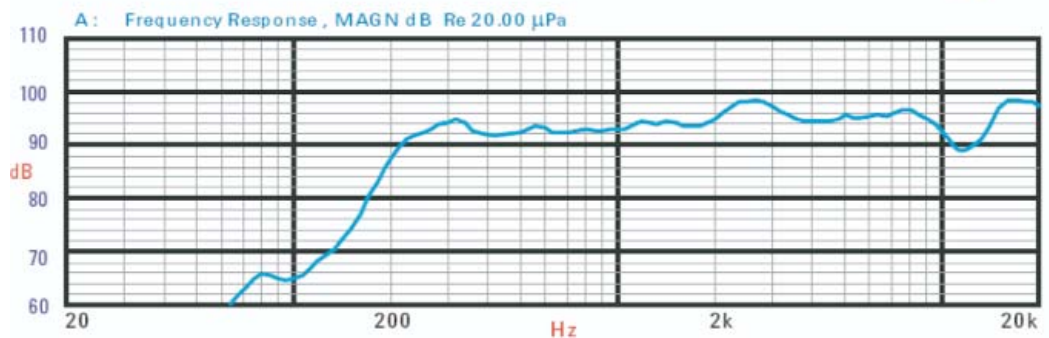


Circuit Diagram



Frequency Response

Polar Pattern



Ordering Information

Reference	Part Number	Description
MCS40/TC	570.503.030	40W Metal Column Speaker, BS5839 Part 8 Compliant

For further information on how we can help you please visit our website at www.tycofis.com or e-mail us on tycofis@tycoint.com. The right is reserved to modify or withdraw any product or service without notice. PSPV090TFIS Issue 1 March 2007 © 2007

tyco

Fire & Integrated
Solutions

a vital part of your world