



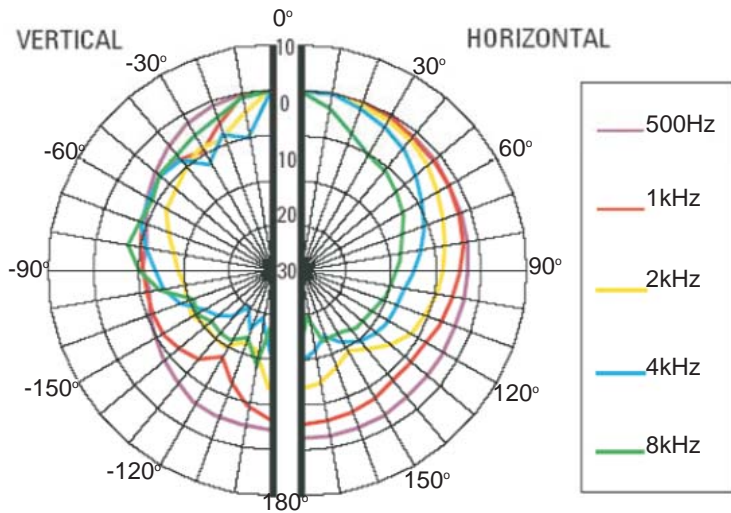
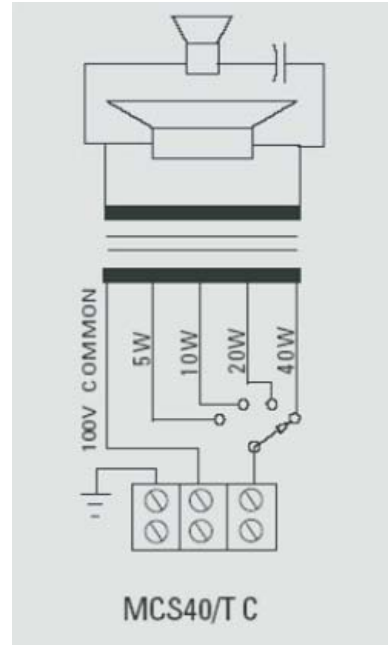
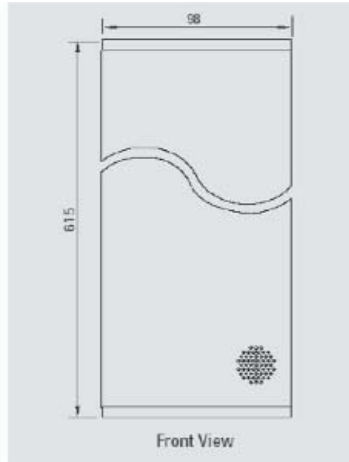
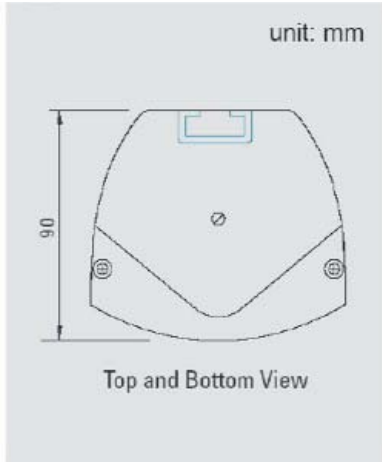
Metal Column Loudspeakers

MCS40/TC

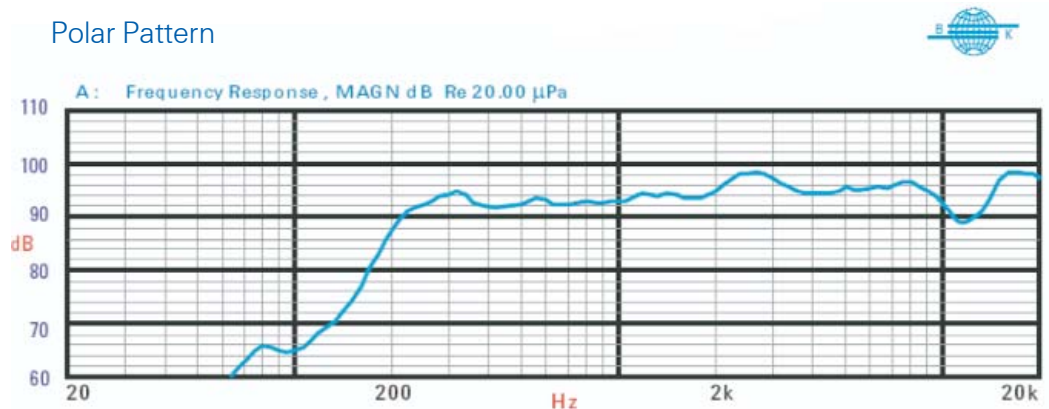
Technical Specification

Rated power, Watts	40
Tappings 100 Volt line, Watts	40/ 20/ 10/ 10/ 5
Transformer Impedance, Ohms, 100V	250/500/ 1k/ 2k
Tappings 70.7 Volt line Watts	20/ 10/ 5/ 2.5
Driver Impedance, Ohms	8
Effective frequency range, Hz (BS6840)	170 - 18,000
S.P.L. @ 1m, 1 Watt, dB, Test Signal	
Bandwidth 100Hz-10kHz	92
S.P.L. @ Full Power Octave Bandwidth, dB	108
Acoustic Power (dB-PWL@1 Watt) 1k/2kHz	97/89
Dispersion at 1k/2kHz, Degrees	170/140 (horizontal) 66/55 (vertical)
Directivity Axial Q factor, 1k/2kHz	4.10/7.40
Drive units	4 x 75mm cone drivers, 1 x HF unit
Dimensions, front & depth, mm	615 x 98 x 90
Net weight, kgs	3.80
Colour/Finish	White RAL9016
Material	Aluminium
Mounting	Steel L bracket

MCS40/TC



Frequency Response



Ordering Information

Reference	Part Number	Description
MCS40/TC	570.503.030	40W Metal Column Speaker, BS5839 Part 8 Compliant

For further information on how ADT can help you, contact your local office or phone free on **0800 010 999** or visit us at www.adt.co.uk

Head Office: ADT Fire and Security plc, Security House, The Summit, Hanworth Road, Sunbury-on-Thames, Middlesex TW16 5DB.

ADT and the ADT logo are registered trademarks of ADT Services AG and are used under license.

ADT reserves the right to modify or withdraw any product or service without notice.

