



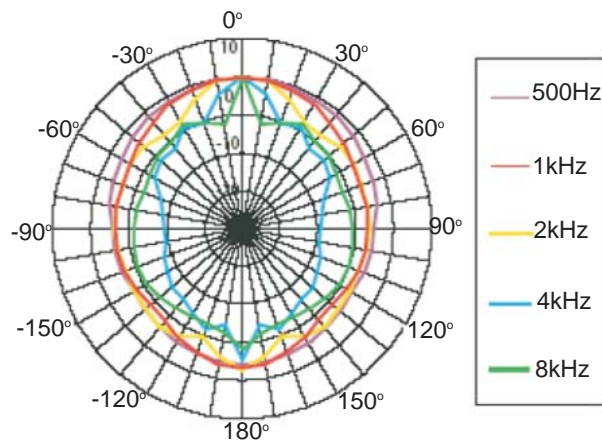
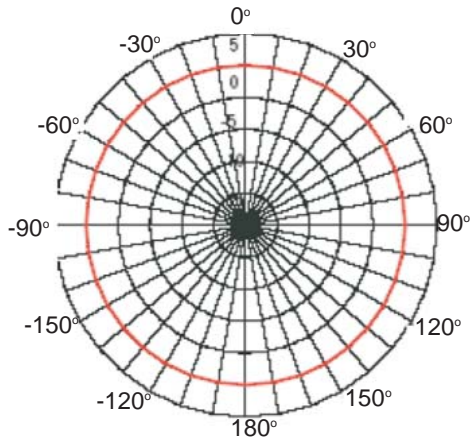
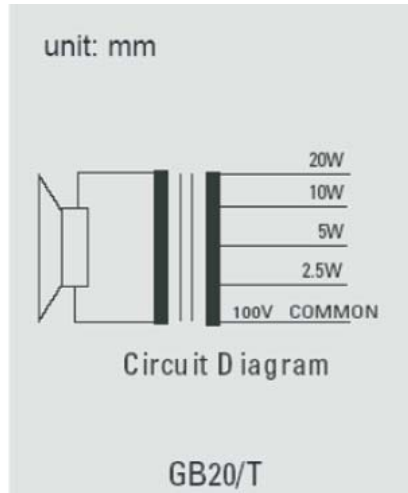
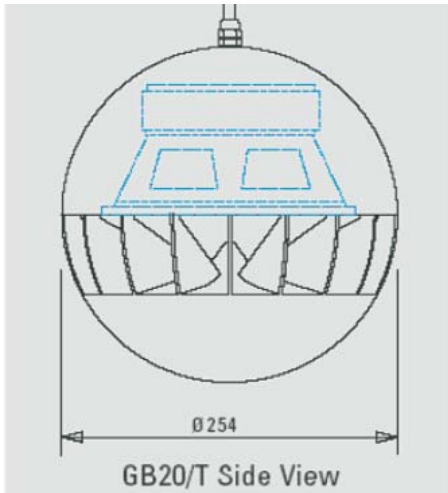
ABS Spherical Loudspeakers

GB20/T & GB20/TC

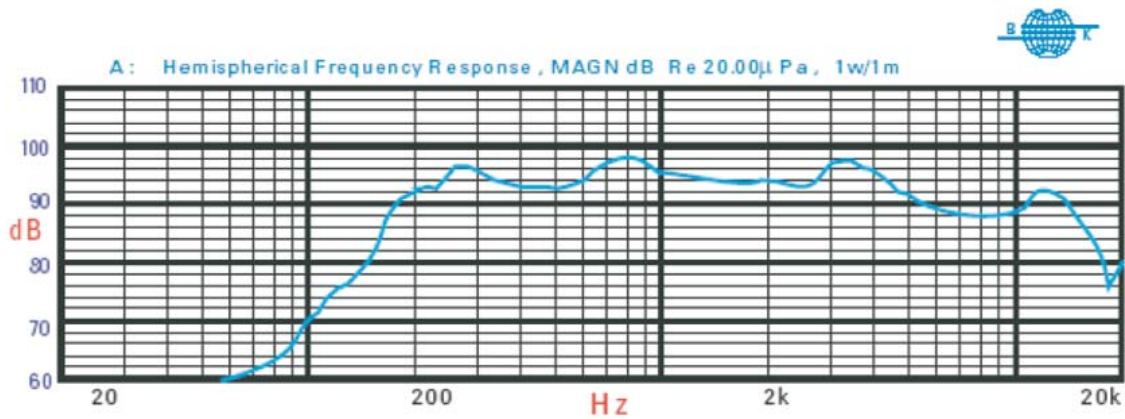
Technical Specification

Rated power, Watts	20
Tappings 100 Volt line, Watts	20/ 10/ 5/ 2.5
Transformer Impedance, Ohms, 100V	500/ 1k/ 2k/ 4k
Tappings 70.7 Volt line Watts	10/ 5/ 2.5/ 1.25
Driver Impedance, Ohms	8
Effective frequency range, Hz (BS6840)	80 - 18,000
S.P.L. @ 1m, 1 Watt, dB, Test Signal	
Bandwidth 100Hz-10kHz	93
S.P.L. @ Full Power Octave Bandwidth, dB	107
Acoustic Power (dB-PWL@1 Watt) 1k/2kHz	95/90
Dispersion at 1k/2kHz, Degrees	140/160 (vertical) 360/360 (horizontal)
Directivity Axial Q factor, 1k/2kHz	4.3/4.7
Dimensions, front & depth, mm	ø254
Net weight, kgs	2.40
Colour/Finish	White
Material	ABS moulding with UV inhibitors
Mounting	Pendant hung

SPECIFICATIONS



Frequency Response



For further information on how we can help you please visit our website at www.tycofis.com or e-mail us on tycofis@tycoint.com. The right is reserved to modify or withdraw any product or service without notice. PSPV08TFIS Issue 1 March 2007 © 2007

tyco

Fire & Integrated
Solutions

a vital part of your world