



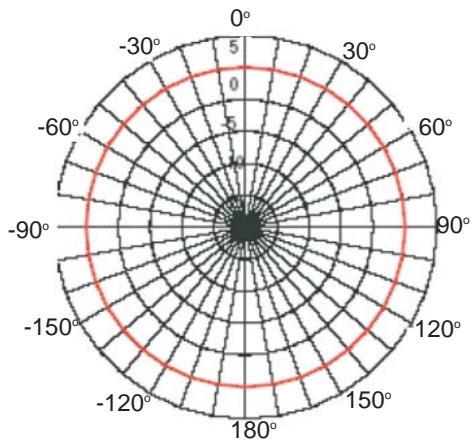
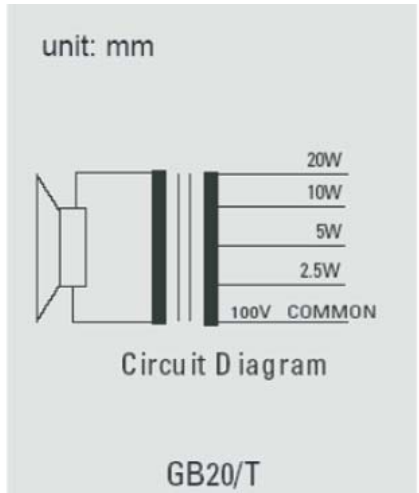
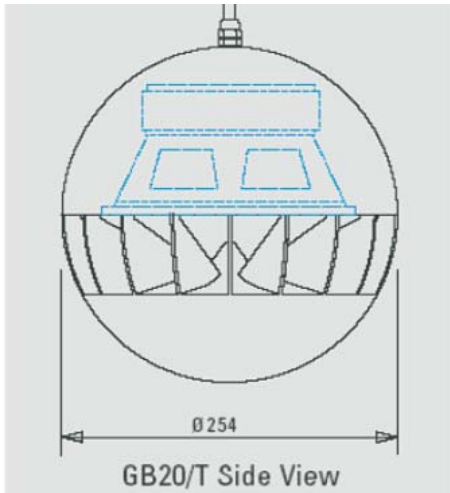
## ABS Spherical Loudspeakers

### GB20/T & GB20/TC

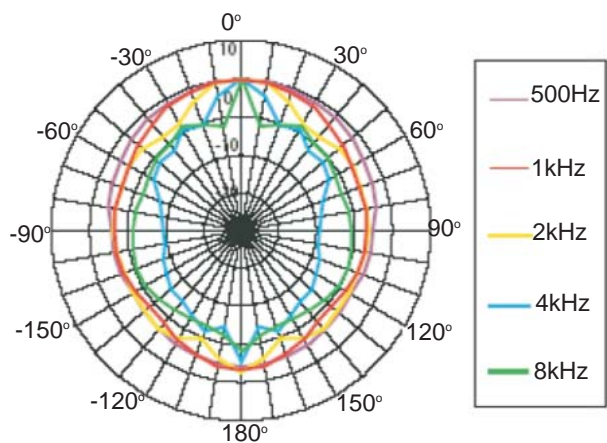
#### Technical Specification

Rated power, Watts	20
Tappings 100 Volt line, Watts	20/ 10/ 5/ 2.5
Transformer Impedance, Ohms, 100V	500/ 1k/ 2k/ 4k
Tappings 70.7 Volt line Watts	10/ 5/ 2.5/ 1.25
Driver Impedance, Ohms	8
Effective frequency range, Hz (BS6840)	80 - 18,000
S.P.L. @ 1m, 1 Watt, dB, Test Signal	
Bandwidth 100Hz-10kHz	93
S.P.L. @ Full Power Octave Bandwidth, dB	107
Acoustic Power (dB-PWL@1 Watt) 1k/2kHz	95/90
Dispersion at 1k/2kHz, Degrees	140/160 (vertical) 360/360 (horizontal)
Directivity Axial Q factor, 1k/2kHz	4.3/4.7
Dimensions, front & depth, mm	ø254
Net weight, kgs	2.40
Colour/Finish	White
Material	ABS moulding with UV inhibitors
Mounting	Pendant hung

# GB20/T & GB20/TC

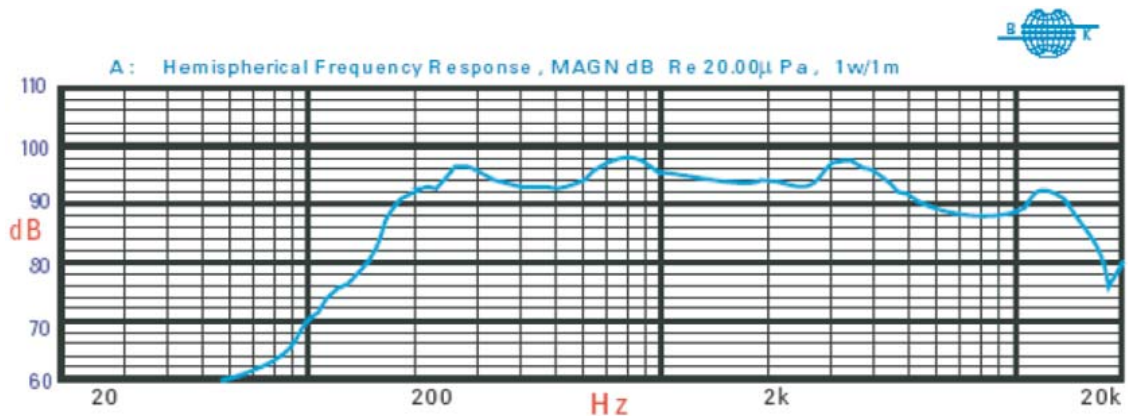


Horizontal Polar Pattern 60° Inclination



Vertical Polar Pattern

## Frequency Response



For further information on how ADT can help you, contact your local office or phone free on **0800 010 999** or visit us at [www.adt.co.uk](http://www.adt.co.uk)

Head Office: ADT Fire and Security plc, Security House, The Summit, Hanworth Road, Sunbury-on-Thames, Middlesex TW16 5DB.

ADT and the ADT logo are registered trademarks of ADT Services AG and are used under license.

ADT reserves the right to modify or withdraw any product or service without notice.

