



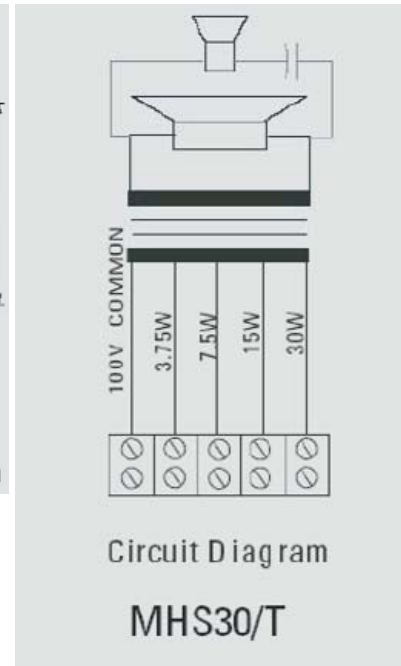
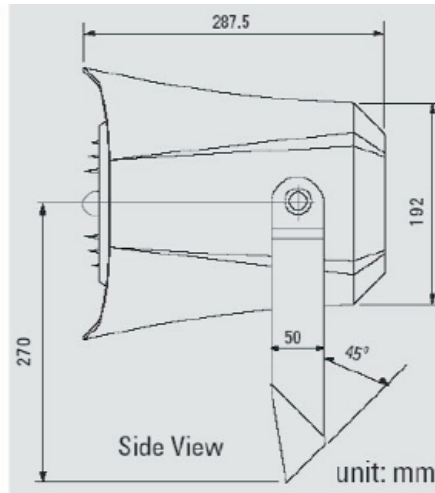
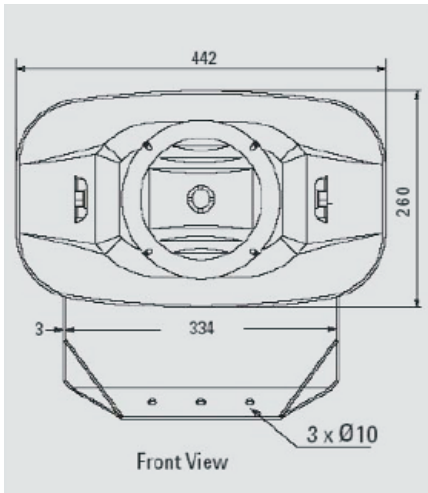
Music Horn Loudspeakers

MSH30/T & MSH30/TC

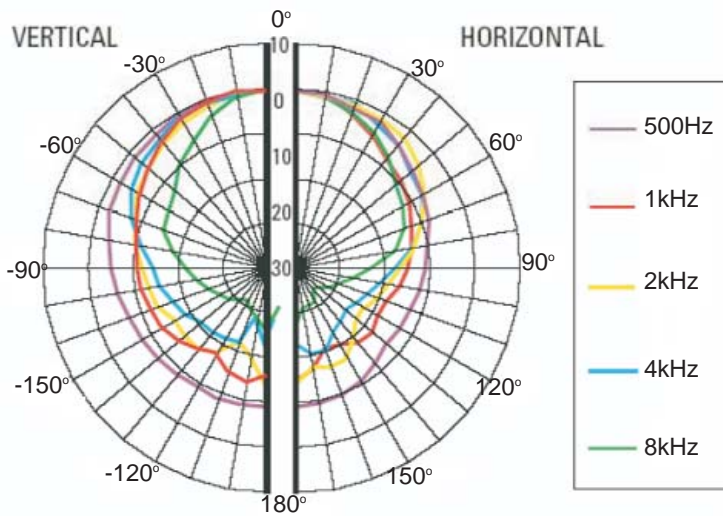
Technical Specification

Rated power, Watts	30
Tappings 100 Volt line, Watts	30/ 15/ 7.5 / 3.75
Transformer Impedance, Ohms, 100V	333/ 667/ 1.33k/ 2.66k
Tappings 70.7 Volt line Watts	15/ 7.5/ 3.75/ 1.875
Driver Impedance, Ohms	8
Effective frequency range, Hz (BS6840)	70 - 16,500
S.P.L. @ 1m, 1 Watt, dB, Test Signal	
Bandwidth 100Hz-10kHz	99
S.P.L. @ Full Power Octave Bandwidth, dB	114
Acoustic Power (dB-PWL@1 Watt) 1k/2kHz	91/94
Dispersion at 1k/2kHz, Degrees	100/120 (horizontal)
	60/120 (vertical)
Directivity Axial Q factor, 1k/2kHz	8.50/6.50
Dimensions, front & depth, mm	442 x 260 x 287.5
Net weight, kgs	5.5
Colour/Finish	Grey RAL7035
Material	ABS plastic with UV inhibitors
Mounting	Aluminium U bracket

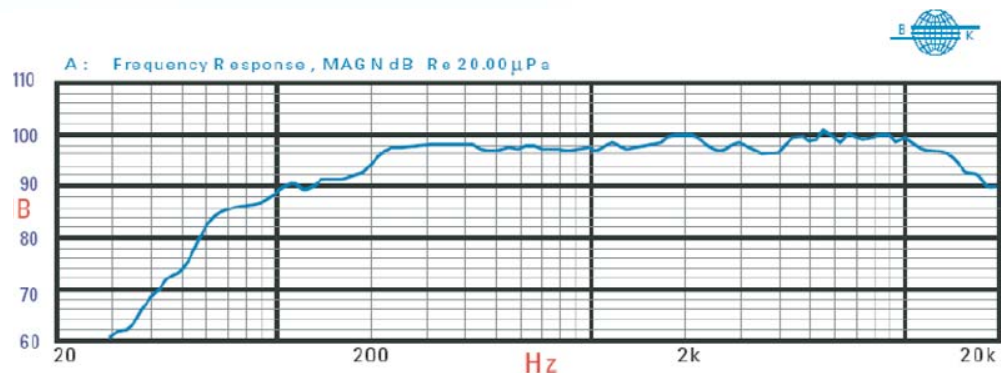
SPECIFICATIONS



Circuit Diagram



Frequency Response



Ordering Information

Reference	Part Number	Description
MSH30/T	570.503.038	30W Weatherproof (IP66) Music Horn Speaker
MSH30/TC	570.503.039	30W Weatherproof (IP66) Music Horn Speaker, BS5839 Part 8 Compliant

For further information on how we can help you please visit our website at www.tycofis.com or e-mail us on tycofis@tycoint.com. The right is reserved to modify or withdraw any product or service without notice. PSPV087TFIS Issue 1 March 2007 © 2007

tyco

Fire & Integrated
Solutions

a vital part of your world