



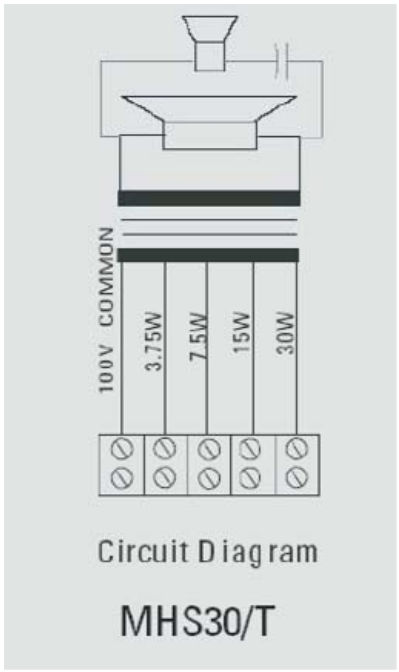
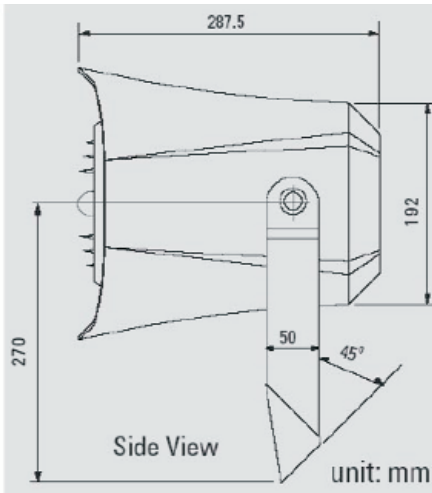
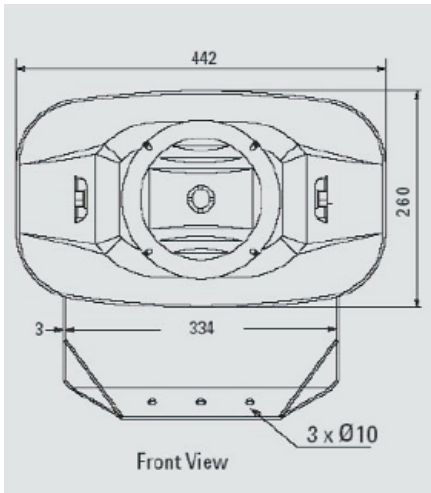
Music Horn Loudspeakers

MSH30/T & MSH30/TC

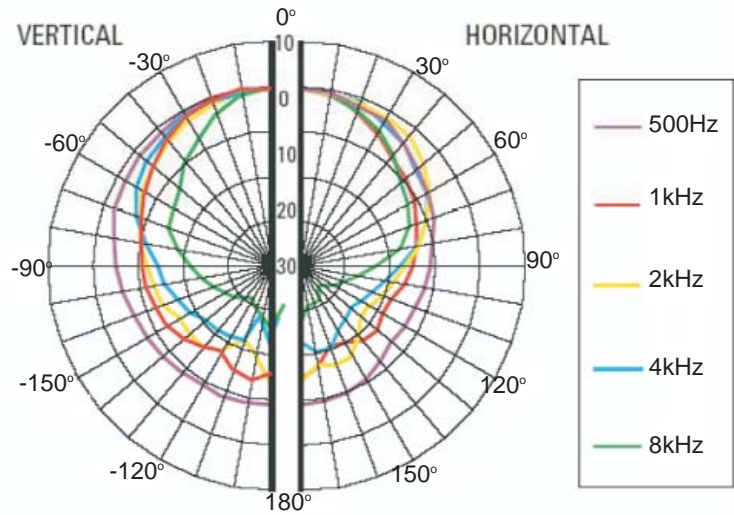
Technical Specification

Rated power, Watts	30
Tappings 100 Volt line, Watts	30/ 15/ 7.5 / 3.75
Transformer Impedance, Ohms, 100V	333/ 667/ 1.33k/ 2.66k
Tappings 70.7 Volt line Watts	15/ 7.5/ 3.75/ 1.875
Driver Impedance, Ohms	8
Effective frequency range, Hz (BS6840)	70 - 16,500
S.P.L. @ 1m, 1 Watt, dB, Test Signal	
Bandwidth 100Hz-10kHz	99
S.P.L. @ Full Power Octave Bandwidth, dB	114
Acoustic Power (dB-PWL@1 Watt) 1k/2kHz	91/94
Dispersion at 1k/2kHz, Degrees	100/120 (horizontal)
	60/120 (vertical)
Directivity Axial Q factor, 1k/2kHz	8.50/6.50
Dimensions, front & depth, mm	442 x 260 x 287.5
Net weight, kgs	5.5
Colour/Finish	Grey RAL7035
Material	ABS plastic with UV inhibitors
Mounting	Aluminium U bracket

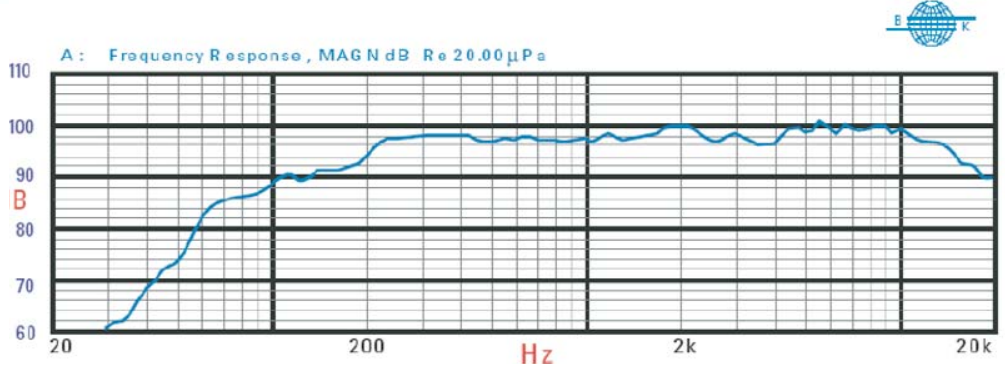
MSH30/T & MSH30/TC



Circuit Diagram



Frequency Response



Ordering Information

Reference	Part Number	Description
MSH30/T	570.503.038	30W Weatherproof (IP66) Music Horn Speaker
MSH30/TC	570.503.039	30W Weatherproof (IP66) Music Horn Speaker, BS5839 Part 8 Compliant

For further information on how ADT can help you, contact your local office or phone free on **0800 010 999** or visit us at www.adt.co.uk

Head Office: ADT Fire and Security plc, Security House, The Summit, Hanworth Road, Sunbury-on-Thames, Middlesex TW16 5DB.
 ADT and the ADT logo are registered trademarks of ADT Services AG and are used under license.
 ADT reserves the right to modify or withdraw any product or service without notice.

