

Weatherproof Horn Loudspeakers

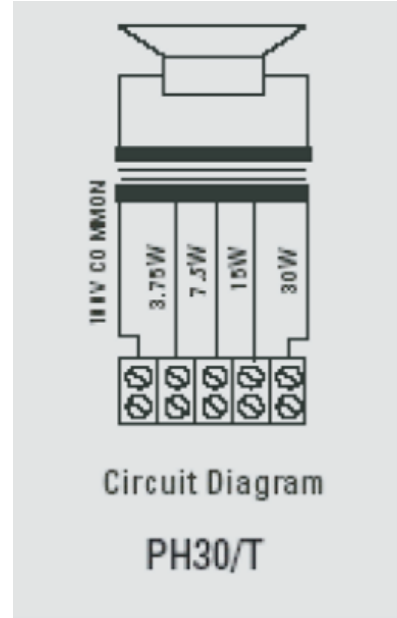
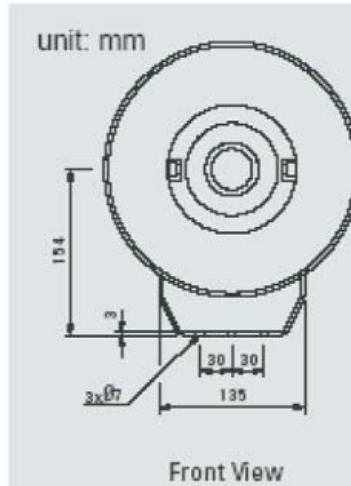
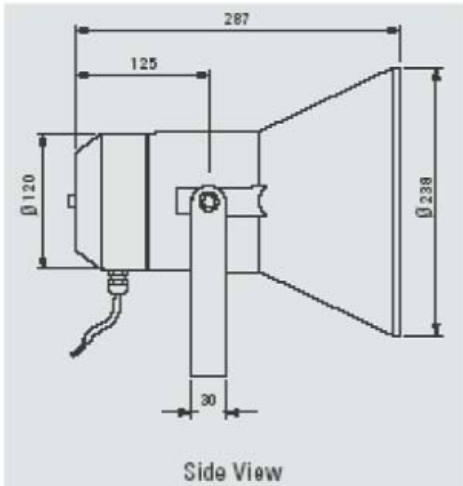
PH30/T & PH30/TC



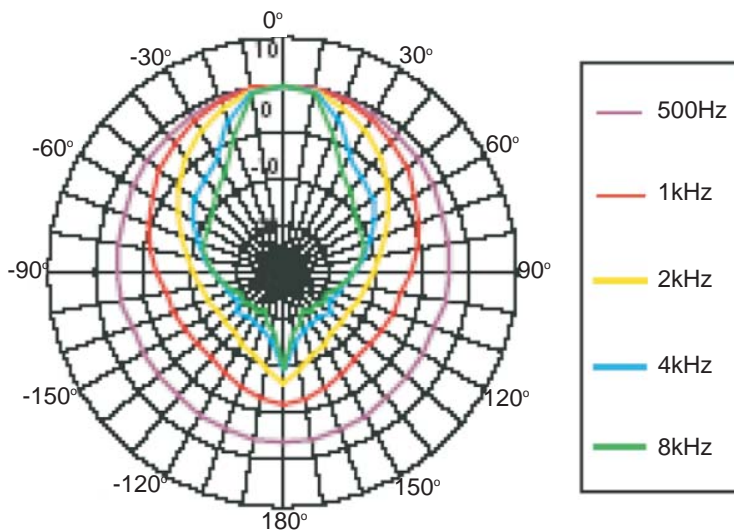
Technical Specification

Rated power, Watts	30
Tappings 100 Volt line, Watts	30/ 15/ 7.5 /3.75
Transformer Impedance, Ohms, 100V	330/ 660/ 1.32k/ 2.64k
Tappings 70.7 Volt line Watts	15/ 7.5/ 3.75/ 1.875
Driver Impedance, Ohms	20 or 8
Effective frequency range, Hz (BS6840)	330 - 8,000
S.P.L. @ 1m, 1 Watt, dB, Test Signal	
Bandwidth 100Hz-10kHz	104
S.P.L. @ Full Power Octave Bandwidth, dB	118
Acoustic Power (dB-PWL@1 Watt) 1k/2kHz	101/100
Dispersion at 1k/2kHz, Degrees	110/80
Directivity Axial Q factor, 1k/2kHz	6.20/15.1
Dimensions, front & depth, mm	ø238 x 287
Net weight, kgs	2.30
Colour/Finish	Grey RAL7035
Material	ABS plastic housing with UV inhibitors
Mounting	Stainless steel U bracket
IP Rating	66

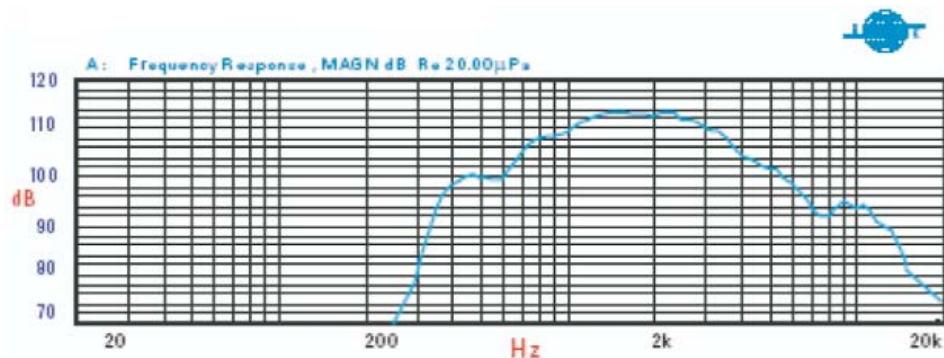
SPECIFICATIONS



Circuit Diagram



Frequency Response



Ordering Information

Reference	Part Number	Description
PH30/T	570.503.036	30W Weatherproof (IP66) Horn Speaker
PH30/TC	570.503.037	30W Weatherproof (IP66) Horn Speaker, BS5839 Part 8 Compliant

For further information on how we can help you please visit our website at www.tycofis.com or e-mail us on tycofis@tycoint.com. The right is reserved to modify or withdraw any product or service without notice. PSPV086TFIS Issue 1 March 2007 © 2007

tyco

Fire & Integrated
Solutions

a vital part of your world