



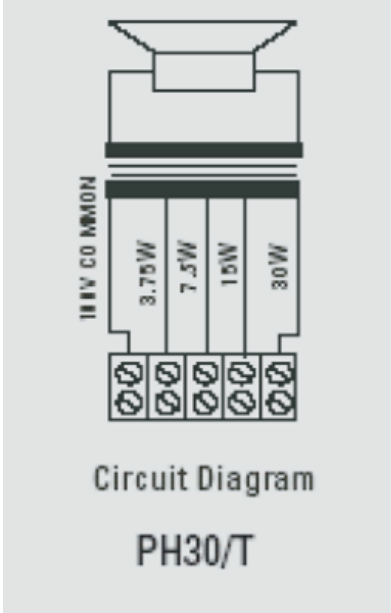
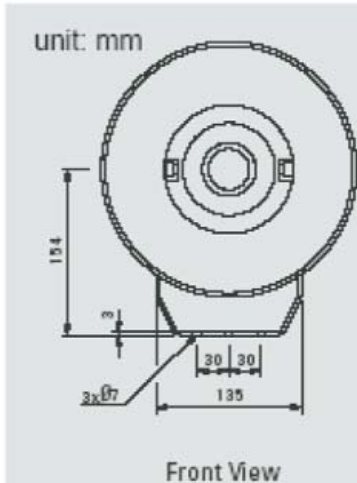
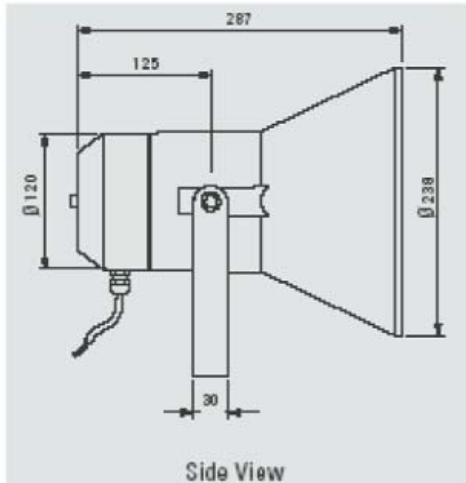
## Weatherproof Horn Loudspeakers

### PH30/T & PH30/TC

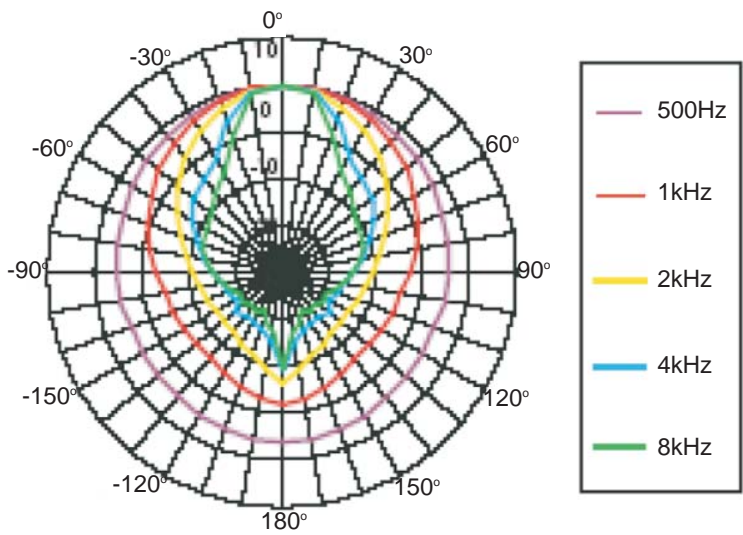
#### Technical Specification

Rated power, Watts	30
Tappings 100 Volt line, Watts	30/ 15/ 7.5 /3.75
Transformer Impedance, Ohms, 100V	330/ 660/ 1.32k/ 2.64k
Tappings 70.7 Volt line Watts	15/ 7.5/ 3.75/ 1.875
Driver Impedance, Ohms	20 or 8
Effective frequency range, Hz (BS6840)	330 - 8,000
S.P.L. @ 1m, 1 Watt, dB, Test Signal	
Bandwidth 100Hz-10kHz	104
S.P.L. @ Full Power Octave Bandwidth, dB	118
Acoustic Power (dB-PWL@1 Watt) 1k/2kHz	101/100
Dispersion at 1k/2kHz, Degrees	110/80
Directivity Axial Q factor, 1k/2kHz	6.20/15.1
Dimensions, front & depth, mm	ø238 x 287
Net weight, kgs	2.30
Colour/Finish	Grey RAL7035
Material	ABS plastic housing with UV inhibitors
Mounting	Stainless steel U bracket
IP Rating	66

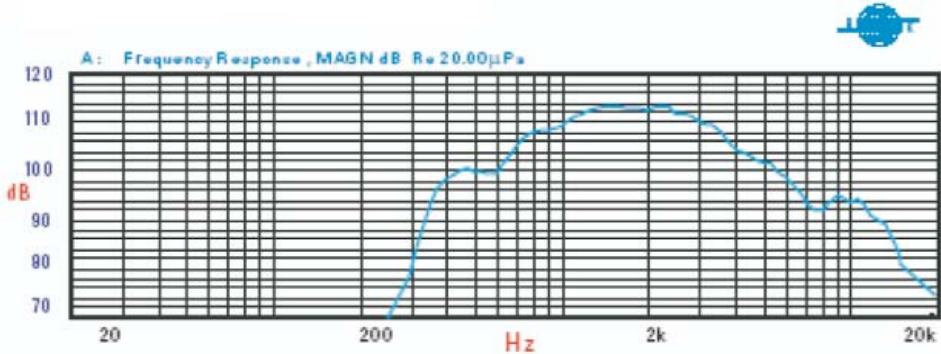
# PH30/T & PH30/TC



Circuit Diagram



Frequency Response



## Ordering Information

Reference	Part Number	Description
PH30/T	570.503.036	30W Weatherproof (IP66) Horn Speaker
PH30/TC	570.503.037	30W Weatherproof (IP66) Horn Speaker, BS5839 Part 8 Compliant

For further information on how ADT can help you, contact your local office or phone free on **0800 010 999** or visit us at [www.adt.co.uk](http://www.adt.co.uk)

Head Office: ADT Fire and Security plc, Security House, The Summit, Hanworth Road, Sunbury-on-Thames, Middlesex TW16 5DB.  
ADT and the ADT logo are registered trademarks of ADT Services AG and are used under license.  
ADT reserves the right to modify or withdraw any product or service without notice.

