



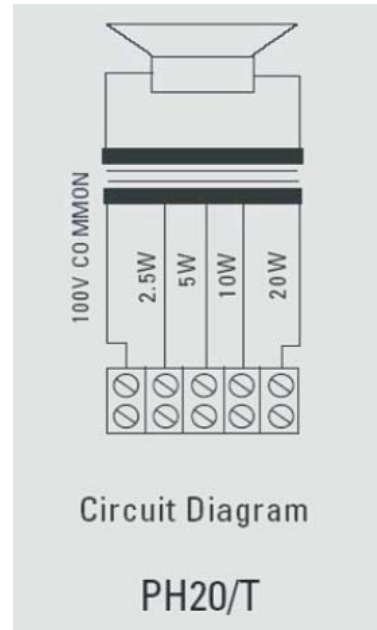
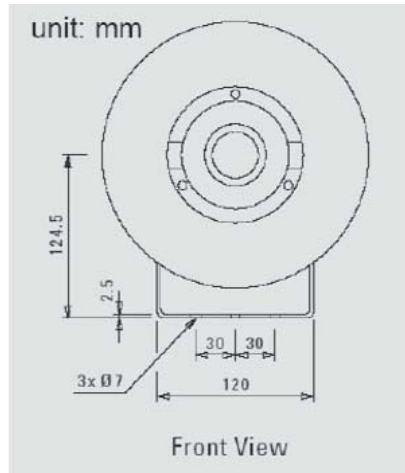
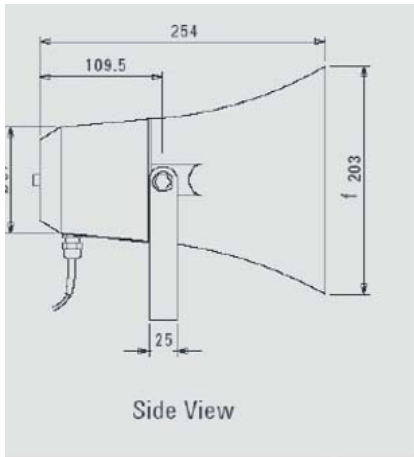
## Weatherproof Horn Loudspeakers

PH20/T & PH20/TC

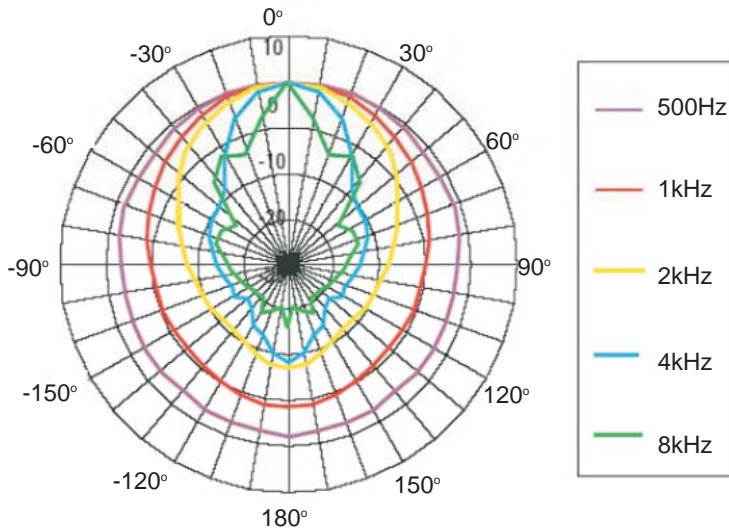
### Technical Specification

Rated power, Watts	20
Tappings 100 Volt line, Watts	20/ 10/ /5 /2.5
Transformer Impedance, Ohms, 100V	500/ 1k/ 2k/ 4k
Tappings 70.7 Volt line Watts	10/ 5/ 2.5/ 1.25
Driver Impedance, Ohms	20 or 8
Effective frequency range, Hz (BS6840)	250 - 8,000
S.P.L. @ 1m, 1 Watt, dB, Test Signal	
Bandwidth 100Hz-10kHz	101
S.P.L. @ Full Power Octave Bandwidth, dB	114
Acoustic Power (dB-PWL@1 Watt) 1k/2kHz	98/98
Dispersion at 1k/2kHz, Degrees	130/70
Directivity Axial Q factor, 1k/2kHz	4.90/13.60
Dimensions, front & depth, mm	ø203 x 254
Net weight, kgs	1.90
Colour/Finish	Grey RAL7035
Material	ABS plastic housing with UV inhibitors
Mounting	Stainless steel U bracket
IP Rating	66

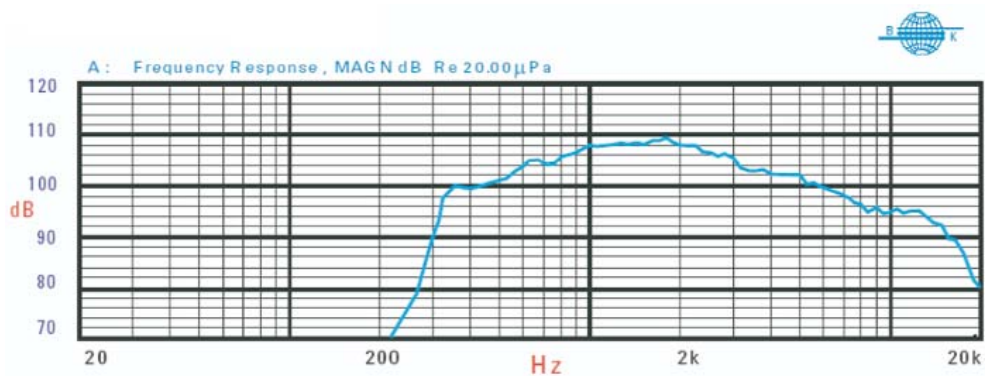
## SPECIFICATIONS



Circuit Diagram



Frequency Response



### Ordering Information

Reference	Part Number	Description
PH20/T	570.503.033	20W Weatherproof (IP66) Horn Speaker
PH20/TC	570.503.035	20W Weatherproof (IP66) Horn Speaker, BS5839 Part 8 Compliant

For further information on how we can help you please visit our website at [www.tycofis.com](http://www.tycofis.com) or e-mail us on [tycofis@tycoint.com](mailto:tycofis@tycoint.com). The right is reserved to modify or withdraw any product or service without notice. PSPV085TFIS Issue 1 March 2007 © 2007

**tyco**

Fire & Integrated  
Solutions

*a vital part of your world*