



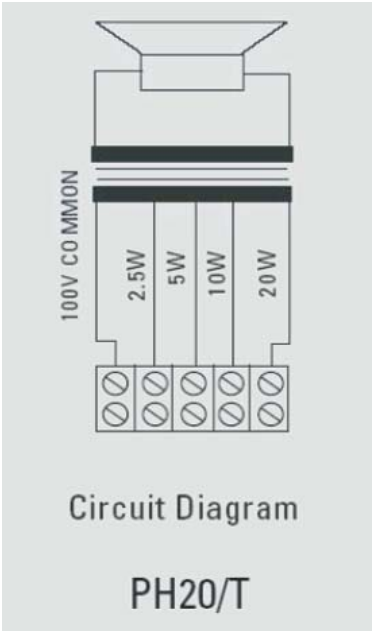
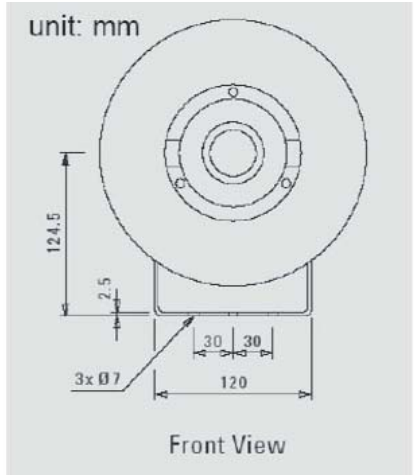
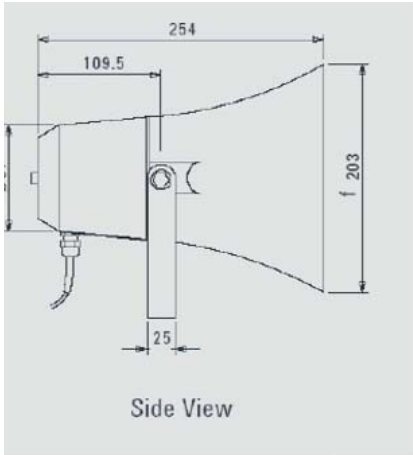
Weatherproof Horn Loudspeakers

PH20/T & PH20/TC

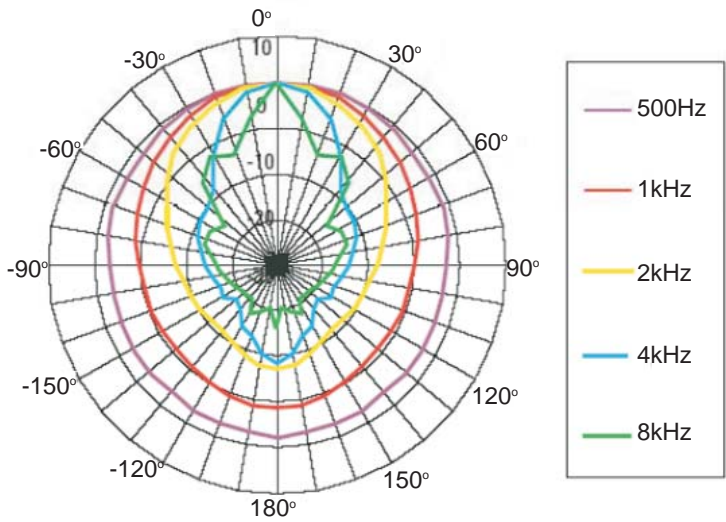
Technical Specification

Rated power, Watts	20
Tappings 100 Volt line, Watts	20/ 10/ /5 /2.5
Transformer Impedance, Ohms, 100V	500/ 1k/ 2k/ 4k
Tappings 70.7 Volt line Watts	10/ 5/ 2.5/ 1.25
Driver Impedance, Ohms	20 or 8
Effective frequency range, Hz (BS6840)	250 - 8,000
S.P.L. @ 1m, 1 Watt, dB, Test Signal	
Bandwidth 100Hz-10kHz	101
S.P.L. @ Full Power Octave Bandwidth, dB	114
Acoustic Power (dB-PWL@1 Watt) 1k/2kHz	98/98
Dispersion at 1k/2kHz, Degrees	130/70
Directivity Axial Q factor, 1k/2kHz	4.90/13.60
Dimensions, front & depth, mm	ø203 x 254
Net weight, kgs	1.90
Colour/Finish	Grey RAL7035
Material	ABS plastic housing with UV inhibitors
Mounting	Stainless steel U bracket
IP Rating	66

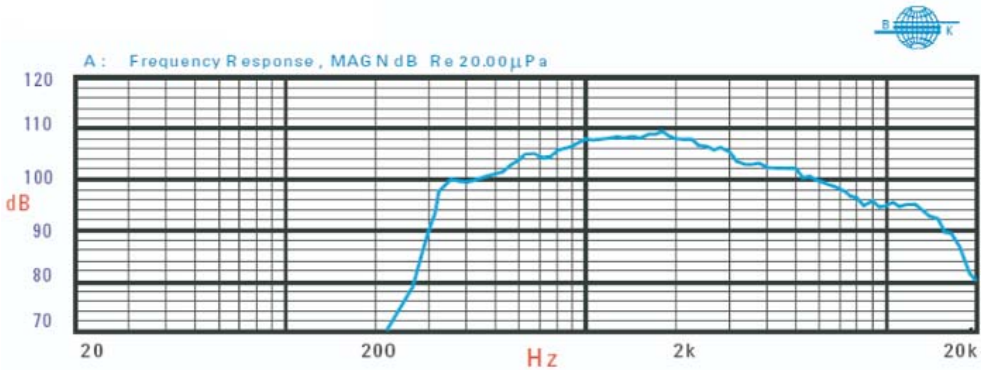
PH20/T & PH20/TC



Circuit Diagram



Frequency Response



Ordering Information

Reference	Part Number	Description
PH20/T	570.503.033	20W Weatherproof (IP66) Horn Speaker
PH20/TC	570.503.035	20W Weatherproof (IP66) Horn Speaker, BS5839 Part 8 Compliant

For further information on how ADT can help you, contact your local office or phone free on **0800 010 999** or visit us at www.adt.co.uk

Head Office: ADT Fire and Security plc, Security House, The Summit, Hanworth Road, Sunbury-on-Thames, Middlesex TW16 5DB.
ADT and the ADT logo are registered trademarks of ADT Services AG and are used under license.
ADT reserves the right to modify or withdraw any product or service without notice.

