



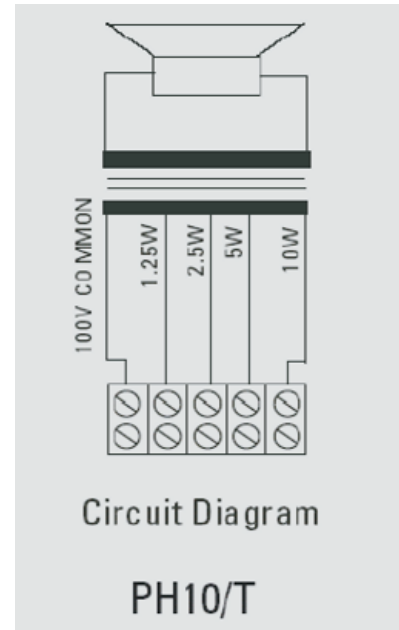
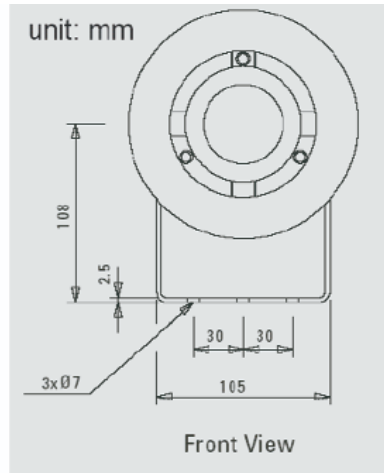
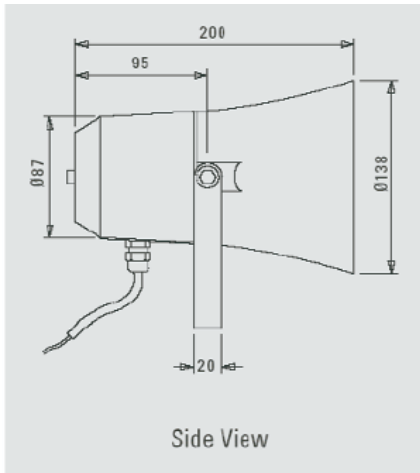
Weatherproof Horn Loudspeakers

PH10/T & PH10/TC

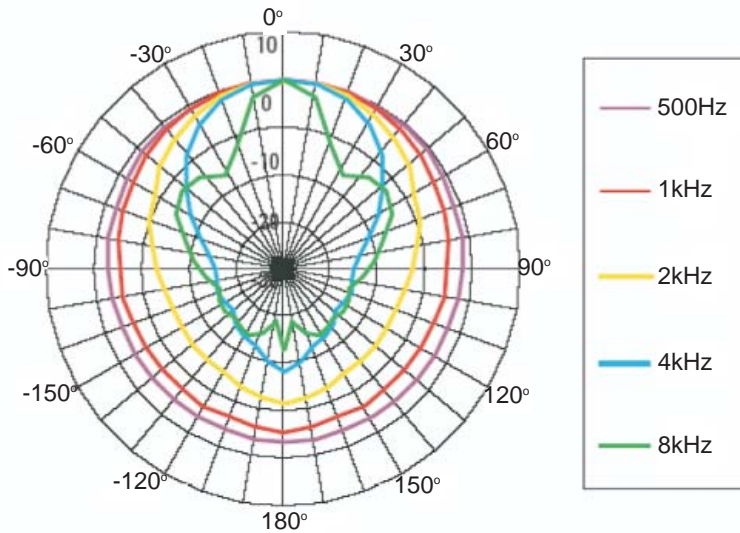
Technical Specification

Rated power, Watts	10
Tappings 100 Volt line, Watts	10/5/ 2.5/ 1.25
Transformer Impedance, Ohms, 100V	1k/ 2k/ 4k /8k
Tappings 70.7 Volt line Watts	5/ 2.5/ 1.25/ 0.625
Driver Impedance, Ohms	20 or 8
Effective frequency range, Hz (BS6840)	400 - 8,000
S.P.L. @ 1m, 1 Watt, dB, Test Signal	
Bandwidth 100Hz-10kHz	97
S.P.L. @ Full Power Octave Bandwidth, dB	107
Acoustic Power (dB-PWL@1 Watt) 1k/2kHz	95/97
Dispersion at 1k/2kHz, Degrees	160/110
Directivity Axial Q factor, 1k/2kHz	2.80/6.60
Dimensions, front & depth, mm	ø138 x 200
Net weight, kgs	1.30
Colour/Finish	Grey RAL7035
Material	ABS plastic housing with UV inhibitors
Mounting	Stainless steel U bracket
IP Rating	66

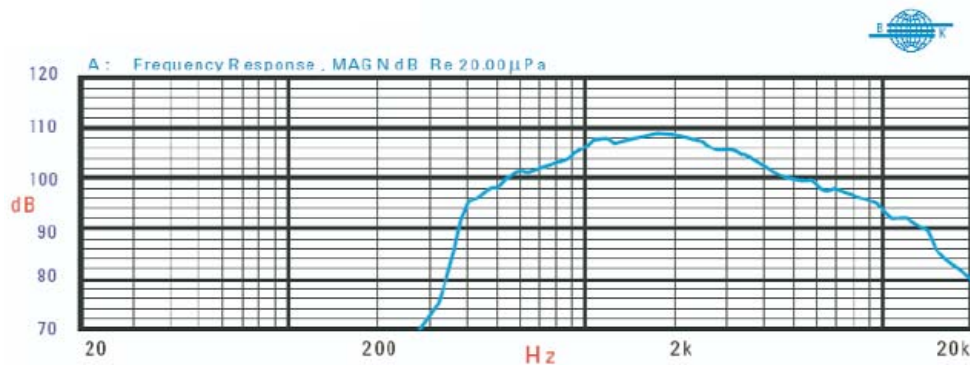
SPECIFICATIONS



Circuit Diagram



Frequency Response



Ordering Information

Reference	Part Number	Description
PH10/T	570.503.032	10W Weatherproof (IP66) Horn Speaker
PH10/TC	570.503.034	10W Weatherproof (IP66) Horn Speaker, BS5839 Part 8 Compliant

For further information on how we can help you please visit our website at www.tycofis.com or e-mail us on tycofis@tycoint.com. The right is reserved to modify or withdraw any product or service without notice. PSPV084TFIS Issue 1 March 2007 © 2007

tyco

Fire & Integrated
Solutions

a vital part of your world