



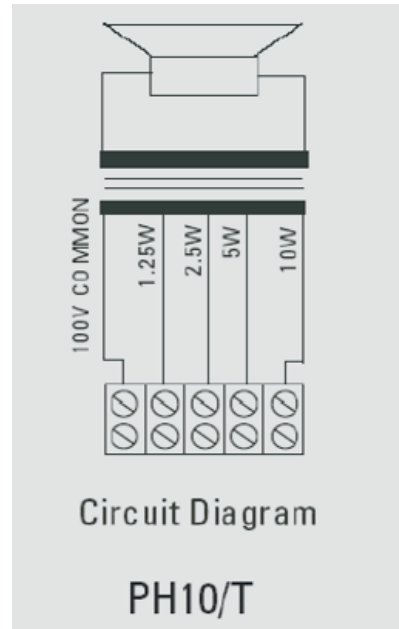
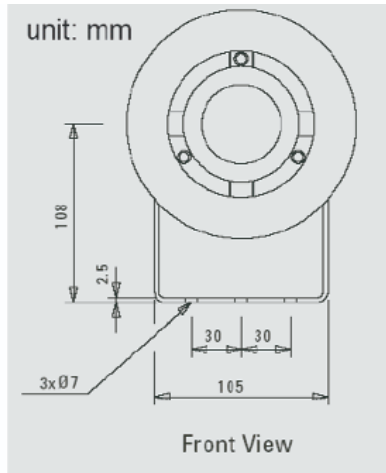
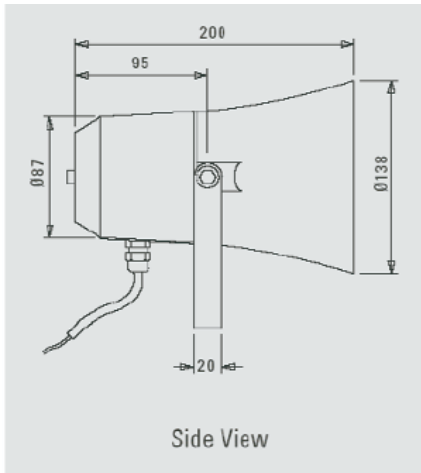
Weatherproof Horn Loudspeakers

PH10/T & PH10/TC

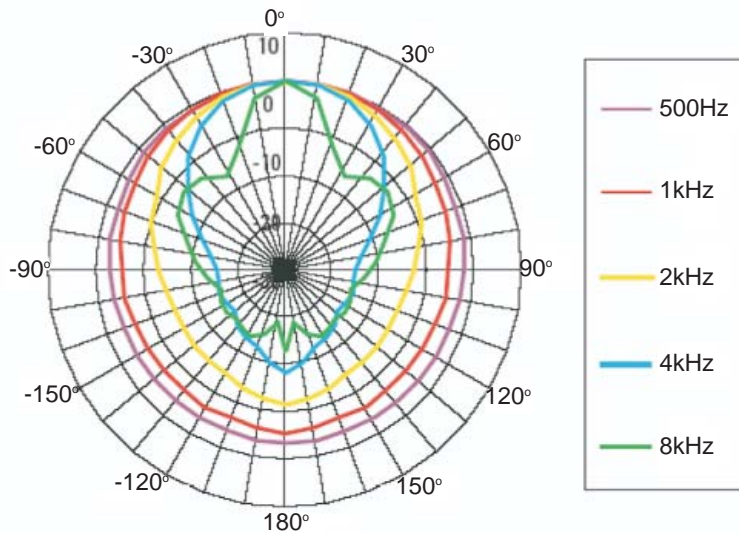
Technical Specification

Rated power, Watts	10
Tappings 100 Volt line, Watts	10/5/ 2.5/ 1.25
Transformer Impedance, Ohms, 100V	1k/ 2k/ 4k /8k
Tappings 70.7 Volt line Watts	5/ 2.5/ 1.25/ 0.625
Driver Impedance, Ohms	20 or 8
Effective frequency range, Hz (BS6840)	400 - 8,000
S.P.L. @ 1m, 1 Watt, dB, Test Signal	
Bandwidth 100Hz-10kHz	97
S.P.L. @ Full Power Octave Bandwidth, dB	107
Acoustic Power (dB-PWL@1 Watt) 1k/2kHz	95/97
Dispersion at 1k/2kHz, Degrees	160/110
Directivity Axial Q factor, 1k/2kHz	2.80/6.60
Dimensions, front & depth, mm	ø138 x 200
Net weight, kgs	1.30
Colour/Finish	Grey RAL7035
Material	ABS plastic housing with UV inhibitors
Mounting	Stainless steel U bracket
IP Rating	66

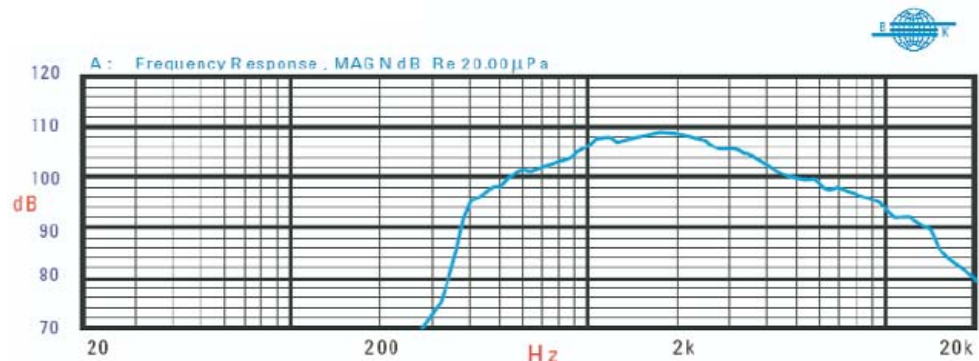
PH10/T & PH10/TC



Circuit Diagram



Frequency Response



Ordering Information

Reference	Part Number	Description
PH10/T	570.503.032	10W Weatherproof (IP66) Horn Speaker
PH10/TC	570.503.034	10W Weatherproof (IP66) Horn Speaker, BS5839 Part 8 Compliant

For further information on how ADT can help you, contact your local office or phone free on **0800 010 999** or visit us at www.adt.co.uk

Head Office: ADT Fire and Security plc, Security House, The Summit, Hanworth Road, Sunbury-on-Thames, Middlesex TW16 5DB.

ADT and the ADT logo are registered trademarks of ADT Services AG and are used under license.

ADT reserves the right to modify or withdraw any product or service without notice.

