



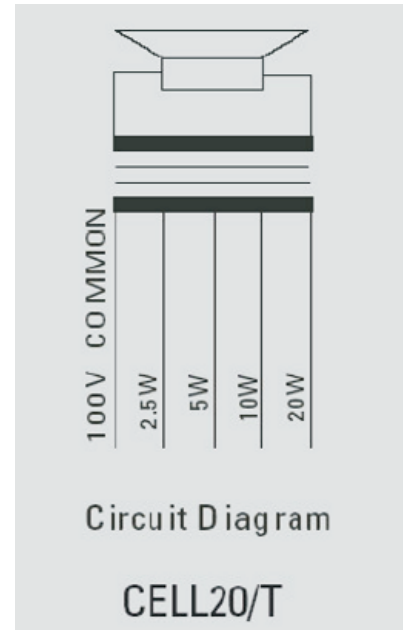
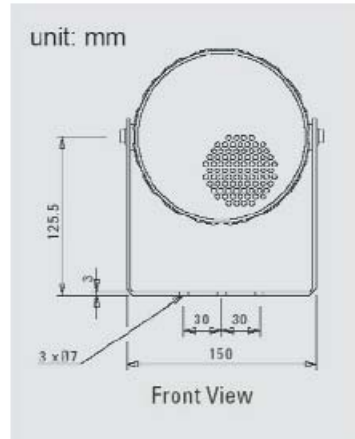
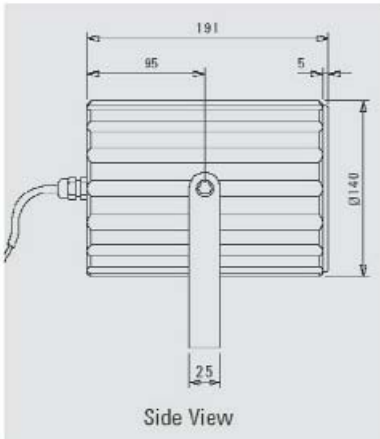
Metal Sound Projector Loudspeakers

CELL20/T & CELL20/TC

Technical Specification

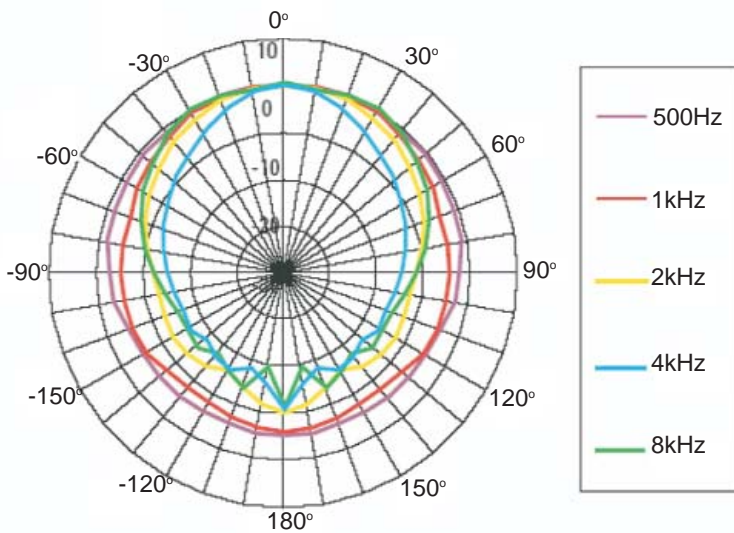
Rated power, Watts	20
Tappings 100 Volt line, Watts	20/ 10/ 5/ 2.5
Transformer Impedance, Ohms, 100V	500/ 1k/ 2k/ 4k
Tappings 70.7 Volt line Watts	10/ 5/ 2.5/ 1.25
Driver Impedance, Ohms	8
Effective frequency range, Hz (BS6840)	110 - 16,000
S.P.L. @ 1m, 1 Watt, dB, Test Signal	
Bandwidth 100Hz-10kHz	88
S.P.L. @ Full Power Octave Bandwidth, dB	101
Acoustic Power (dB-PWL@1 Watt) 1k/2kHz	87/84
Dispersion at 1k/2kHz, Degrees	180/120
Directivity Axial Q factor, 1k/2kHz	2.6/5.9
Dimensions, front & back, mm	ø140 x 191
Net weight, kgs	2.40
Colour/Finish	White RAL9016
Material	Aluminium with stainless steel hardware
Mounting	Aluminium U bracket

SPECIFICATIONS

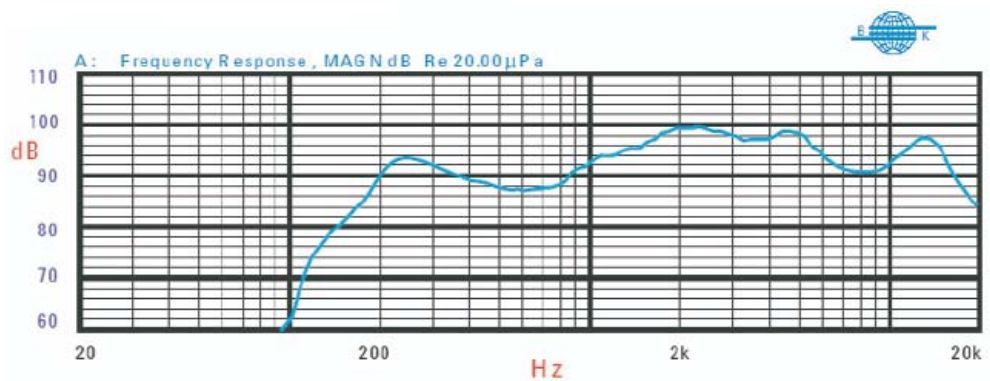


CELL20/T

Circuit Diagram



Frequency Response



Ordering Information

Reference	Part Number	Description
CELL20/T	570.503.048	20W Metal Projector Speaker
CELL20/TC	570.503.049	20W Metal Projector Speaker, BS5839 Part 8 Compliant

For further information on how we can help you please visit our website at www.tycofis.com or e-mail us on tycofis@tycoint.com. The right is reserved to modify or withdraw any product or service without notice. PSPV083TFIS Issue 1 March 2007 © 2007

tyco

Fire & Integrated
Solutions

a vital part of your world