



# Metal Sound Projector Loudspeakers

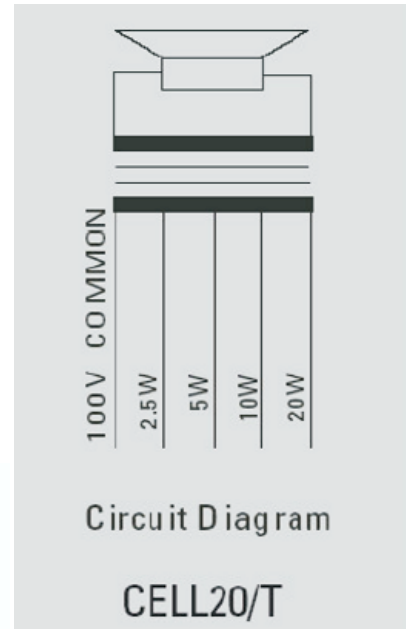
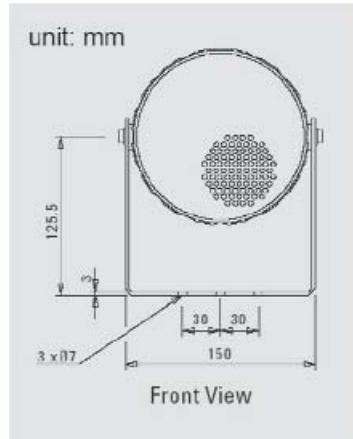
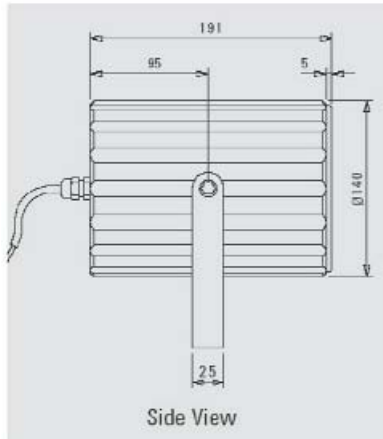
CELL20/T & CELL20/TC

## Technical Specification

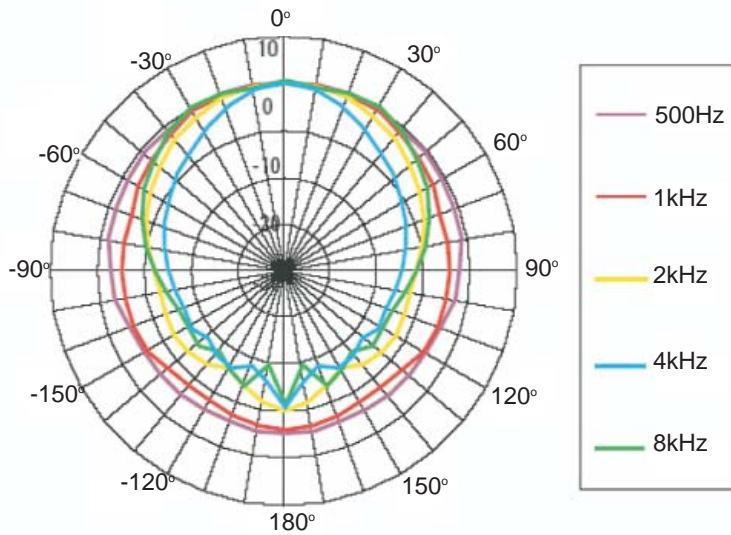
Rated power, Watts	20
Tappings 100 Volt line, Watts	20/ 10/ 5/ 2.5
Transformer Impedance, Ohms, 100V	500/ 1k/ 2k/ 4k
Tappings 70.7 Volt line Watts	10/ 5/ 2.5/ 1.25
Driver Impedance, Ohms	8
Effective frequency range, Hz (BS6840)	110 - 16,000
S.P.L. @ 1m, 1 Watt, dB, Test Signal	
Bandwidth 100Hz-10kHz	88
S.P.L. @ Full Power Octave Bandwidth, dB	101
Acoustic Power (dB-PWL@1 Watt) 1k/2kHz	87/84
Dispersion at 1k/2kHz, Degrees	180/120
Directivity Axial Q factor, 1k/2kHz	2.6/5.9
Dimensions, front & back, mm	ø140 x 191
Net weight, kgs	2.40
Colour/Finish	White RAL9016
Material	Aluminium with stainless steel hardware
Mounting	Aluminium U bracket

# CELL20/T & CELL20/TC

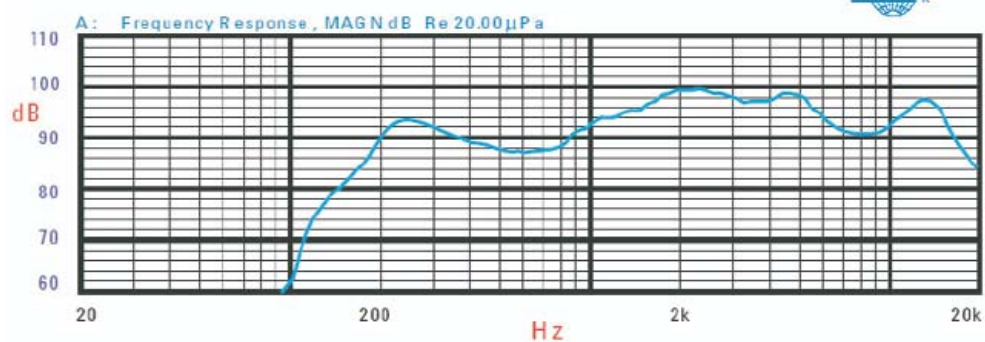
DATA SHEET



Circuit Diagram



Frequency Response



## Ordering Information

Reference	Part Number	Description
CELL20/T	570.503.048	20W Metal Projector Speaker
CELL20/TC	570.503.049	20W Metal Projector Speaker, BS5839 Part 8 Compliant

For further information on how ADT can help you, contact your local office or phone free on **0800 010 999** or visit us at [www.adt.co.uk](http://www.adt.co.uk)

Head Office: ADT Fire and Security plc, Security House, The Summit, Hanworth Road, Sunbury-on-Thames, Middlesex TW16 5DB.

ADT and the ADT logo are registered trademarks of ADT Services AG and are used under license.

ADT reserves the right to modify or withdraw any product or service without notice.

