



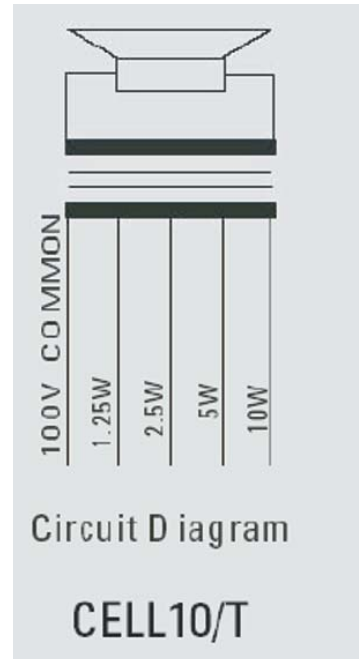
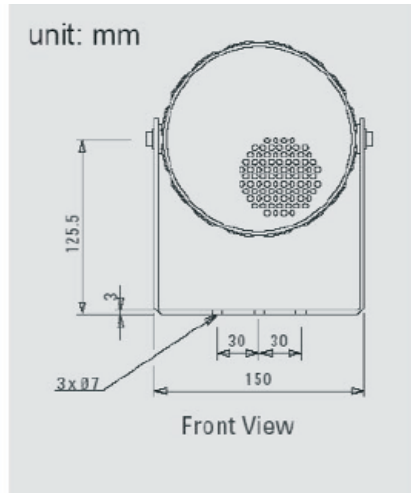
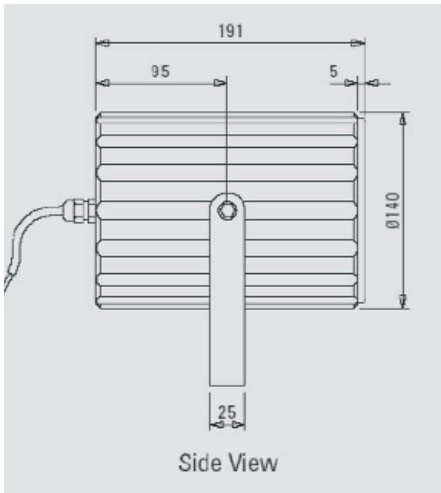
Metal Sound Projector Loudspeakers

CELL 10/T & CELL 10/TC

Technical Specification

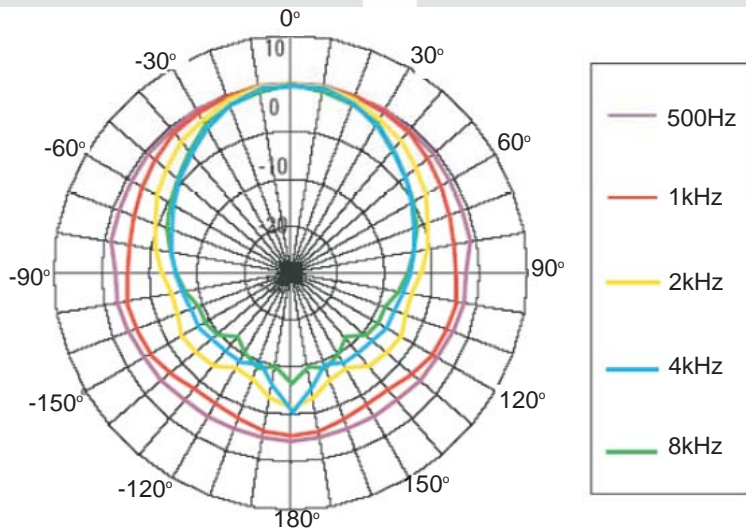
Rated power, Watts	10
Tappings 100 Volt line, Watts	10/ 5/ 2.5/ 1.25
Transformer Impedance, Ohms, 100V	1k/ 2k/ 4k/ 8k
Tappings 70.7 Volt line Watts	5/ 2.5/ 1.5/ 0.375
Driver Impedance, Ohms	8
Effective frequency range, Hz (BS6840)	120 - 18,000
S.P.L. @ 1m, 1 Watt, dB, Test Signal	
Bandwidth 100Hz-10kHz	91
S.P.L. @ Full Power Octave Bandwidth, dB	101
Acoustic Power (dB-PWL@1 Watt) 1k/2kHz	87/90
Dispersion at 1k/2kHz, Degrees	180/120
Directivity Axial Q factor, 1k/2kHz	2.80/5.90
Dimensions, front & depth, mm	ø140 x 191
Net weight, kgs	2.0
Colour/Finish	White RAL9016
Material	Aluminium with stainless steel hardware
Mounting	Aluminium U bracket

SPECIFICATIONS

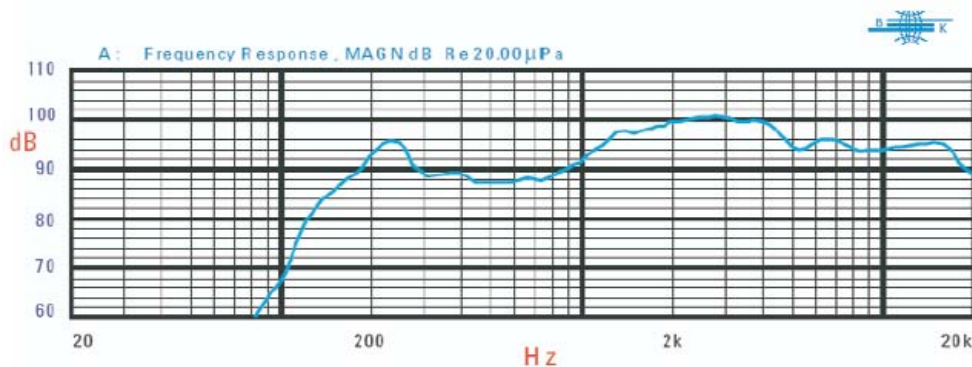


CELL10/T

Circuit Diagram



Frequency Response



Ordering Information

Reference	Part Number	Description
CELL10/T	570.503.044	10W Metal Projector Speaker
CELL10/TC	570.503.045	10W Metal Projector Speaker, BS5839 Part 8 Compliant

For further information on how we can help you please visit our website at www.tycosis.com or e-mail us on tycosis@tycoint.com. The right is reserved to modify or withdraw any product or service without notice. PSPV081TFIS Issue 1 March 2007 © 2007

tyco

Fire & Integrated
Solutions

a vital part of your world