



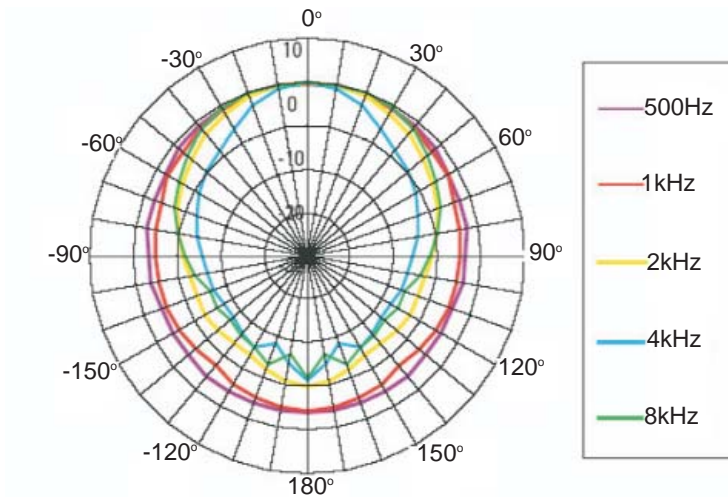
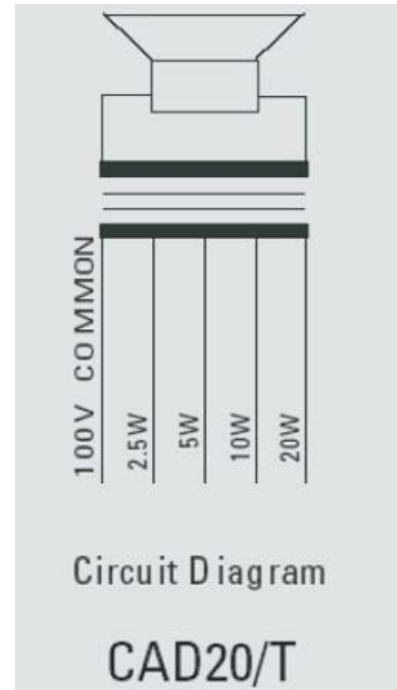
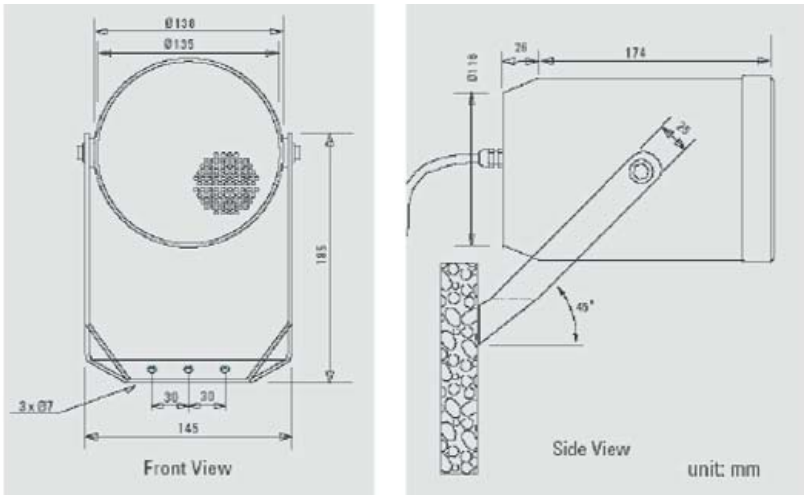
Moulded Sound Projector Loudspeakers

CAD20/T/ & CAD20/TC

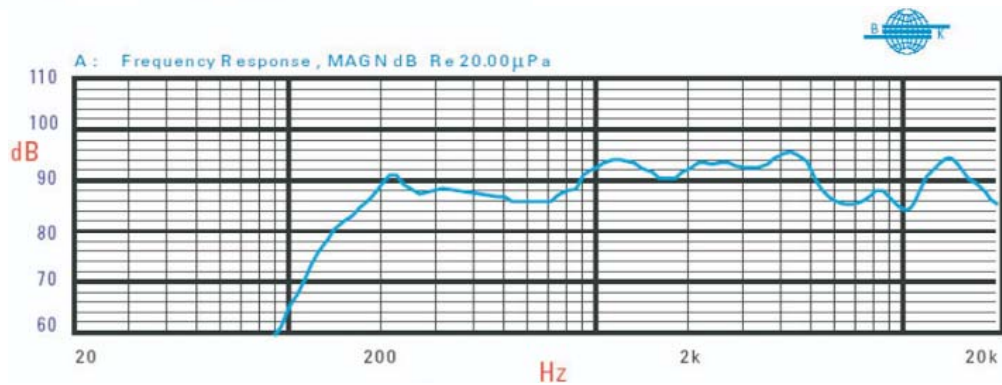
Technical Specification

Rated power, Watts	20
Tappings 100 Volt line, Watts	20/10/ 5/ 2.5
Transformer Impedance, Ohms, 100V	500/1k/2k/ 4k
Tappings 70.7 Volt line Watts	10/ 5/ 2.5/ 1.25
Driver Impedance, Ohms	8
Effective frequency range, Hz (BS6840)	110-18,000
S.P.L. @ 1m, 1 Watt, dB, Test Signal	
Bandwidth 100Hz-10kHz	92
S.P.L. @ Full Power Octave Bandwidth, dB	104
Acoustic Power (dB-PWL@1 Watt) 1k/2kHz	89/90
Dispersion at 1k/2kHz, Degrees:	180/120
Directivity Axial Q factor, 1k/2kHz	2.60/5.60
Dimensions, front & depth , mm	ø138 x 204
Net weight, kgs	1.90
Colour/Finish	White
Material	ABS plastic with UV inhibitor and stainless steel hardware
Mounting	Aluminium U bracket

SPECIFICATIONS



Frequency Response



Ordering Information

Reference	Part Number	Description
CAD20/T	570.503.050	20W Plastic Weather Resistant Projector Speaker
CAD20/TC	570.503.051	20W Plastic Weather Resistant Projector Speaker, BS5839 Part 8 Compliant

For further information on how we can help you please visit our website at www.tycofis.com or e-mail us on tycofis@tycoint.com. The right is reserved to modify or withdraw any product or service without notice. PSPV080TFIS Issue 1 March 2007 © 2007

tyco

Fire & Integrated
Solutions

a vital part of your world