



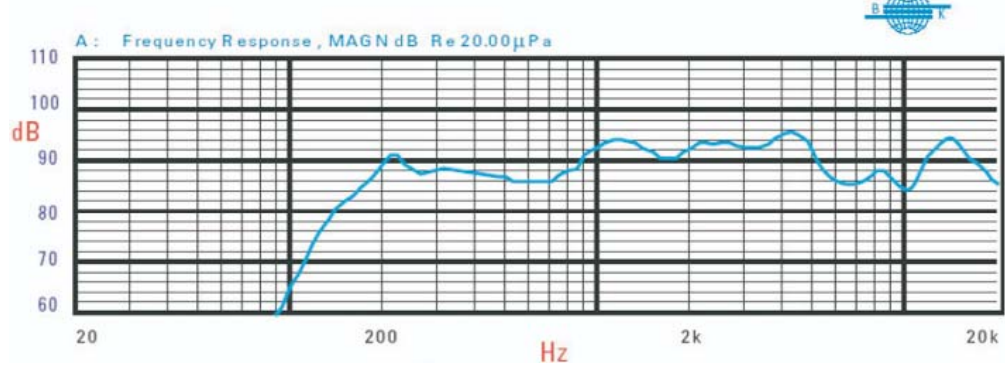
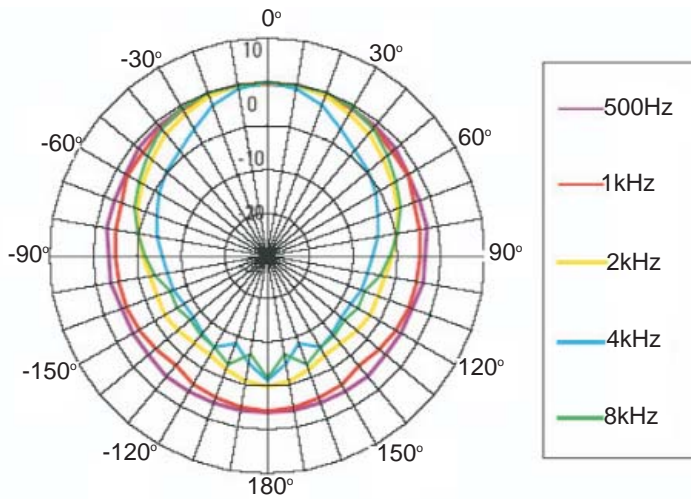
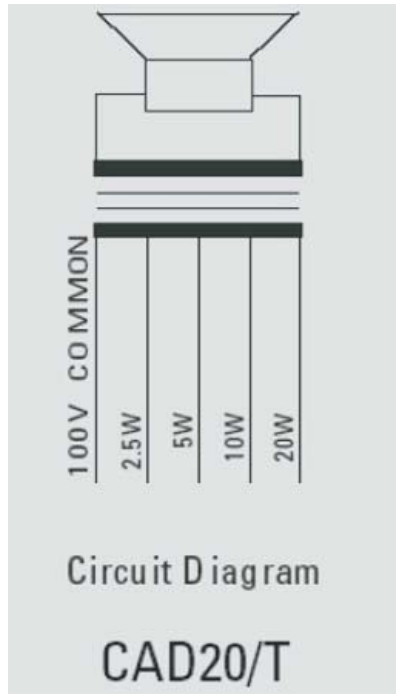
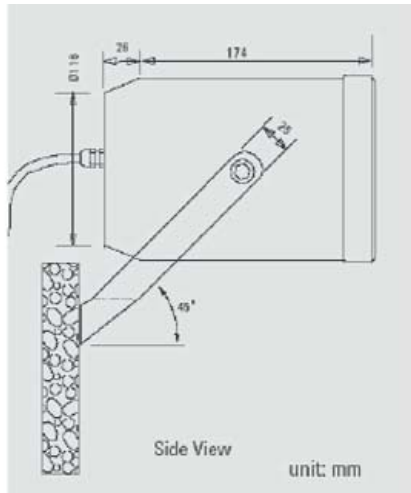
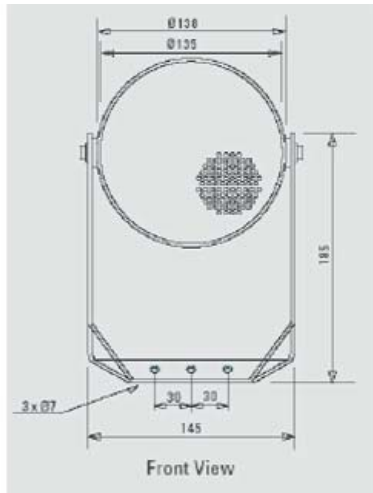
Moulded Sound Projector Loudspeakers

CAD20/T/ & CAD20/TC

Technical Specification

Rated power, Watts	20
Tappings 100 Volt line, Watts	20/10/ 5/ 2.5
Transformer Impedance, Ohms, 100V	500/1k/2k/ 4k
Tappings 70.7 Volt line Watts	10/ 5/ 2.5/ 1.25
Driver Impedance, Ohms	8
Effective frequency range, Hz (BS6840)	110-18,000
S.P.L. @ 1m, 1 Watt, dB, Test Signal	
Bandwidth 100Hz-10kHz	92
S.P.L. @ Full Power Octave Bandwidth, dB	104
Acoustic Power (dB-PWL@1 Watt) 1k/2kHz	89/90
Dispersion at 1k/2kHz, Degrees:	180/120
Directivity Axial Q factor, 1k/2kHz	2.60/5.60
Dimensions, front & depth , mm	ø138 x 204
Net weight, kgs	1.90
Colour/Finish	White
Material	ABS plastic with UV inhibitor and stainless steel hardware
Mounting	Aluminium U bracket

CAD20/T/ & CAD20/TC



Ordering Information

Reference	Part Number	Description
CAD20/T	570.503.050	20W Plastic Weather Resistant Projector Speaker
CAD20/TC	570.503.051	20W Plastic Weather Resistant Projector Speaker, BS5839 Part 8 Compliant

For further information on how ADT can help you, contact your local office or phone free on **0800 010 999** or visit us at www.adt.co.uk

Head Office: ADT Fire and Security plc, Security House, The Summit, Hanworth Road, Sunbury-on-Thames, Middlesex TW16 5DB.

ADT and the ADT logo are registered trademarks of ADT Services AG and are used under license.

ADT reserves the right to modify or withdraw any product or service without notice.

