



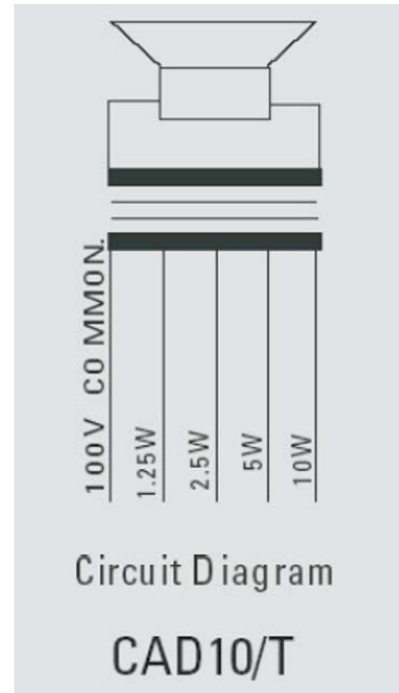
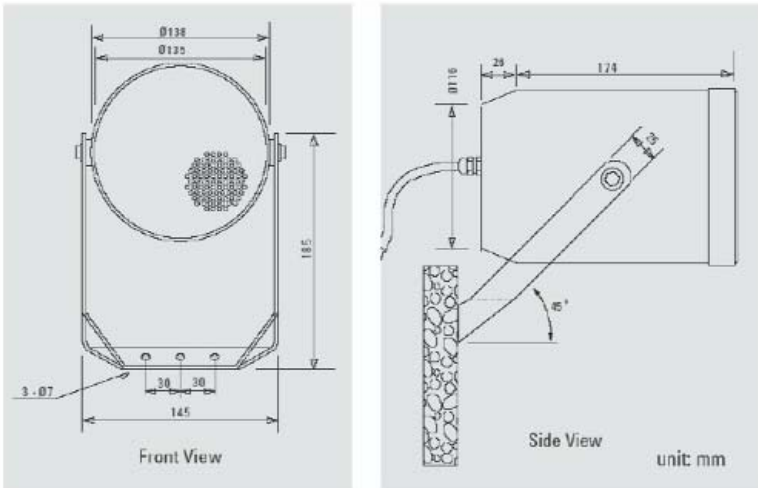
Moulded Sound Projector Loudspeakers

CAD10/T/ & CAD10/TC

Technical Specification

Rated power, Watts	10
Tappings 100 Volt line, Watts	10/5/ 2.5/ 1.25
Transformer Impedance, Ohms, 100V	1k/2k/4k/ 8k
Tappings 70.7 Volt line Watts	5/ 2.5/ 1.25/ 0.375
Driver Impedance, Ohms	8
Effective frequency range, Hz (BS6840)	120-18,000
S.P.L. @ 1m, 1 Watt, dB, Test Signal	
Bandwidth 100Hz-10kHz	91
S.P.L. @ Full Power Octave Bandwidth, dB	100
Acoustic Power (dB-PWL@1 Watt) 1k/2kHz	87/89
Dispersion at 1k/2kHz, Degrees:	180/120
Directivity Axial Q factor, 1k/2kHz	2.50/5.80
Dimensions, front & depth , mm	ø138 x 204
Net weight, kgs	1.55
Colour/Finish	White
Material	ABS plastic with UV inhibitor and stainless steel hardware
Mounting	Aluminium U bracket

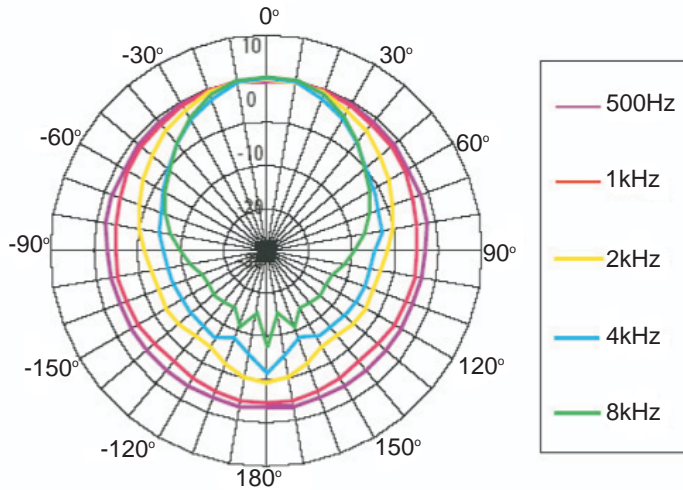
SPECIFICATIONS



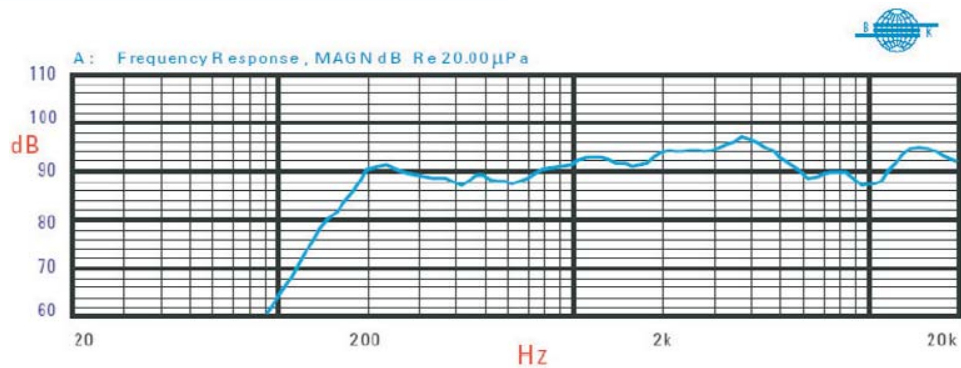
Circuit Diagram

CAD10/T

Circuit Diagram



Frequency Response



Ordering Information

Reference	Part Number	Description
CAD10/T	570.503.046	10W Plastic Weather Resistant Projector Speaker
CAD10/TC	570.503.047	10W Plastic Weather Resistant Projector Speaker, BS5839 Part 8 Compliant

For further information on how we can help you please visit our website at www.tycofis.com or e-mail us on tycofis@tycofis.com. The right is reserved to modify or withdraw any product or service without notice. PSPV079TFIS Issue 1 March 2007 © 2007

tyco

Fire & Integrated
Solutions

a vital part of your world