



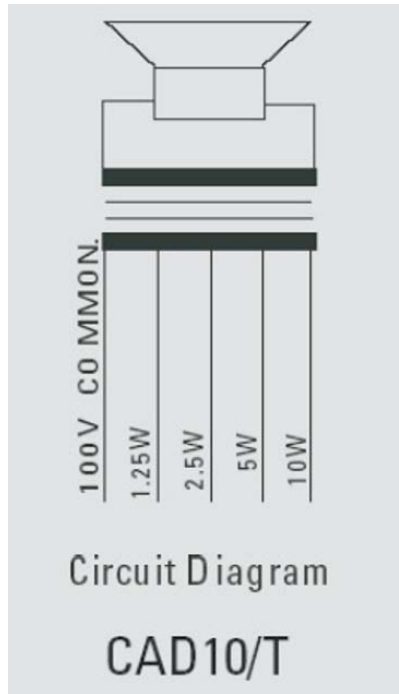
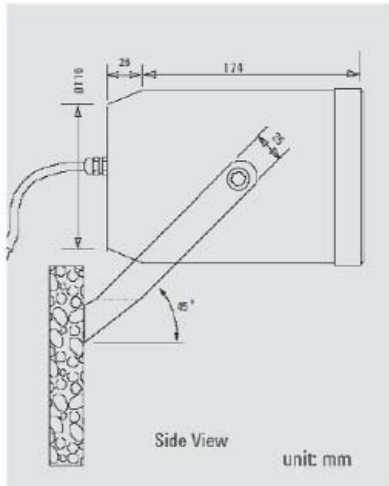
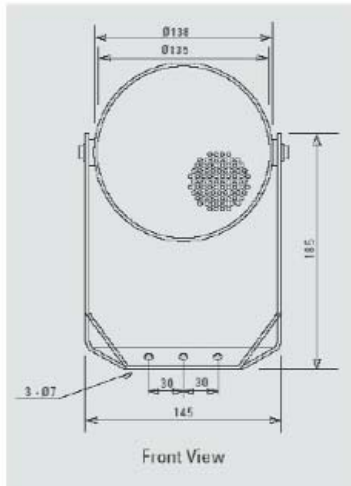
# Moulded Sound Projector Loudspeakers

CAD10/T/ & CAD10/TC

## Technical Specification

Rated power, Watts	10
Tappings 100 Volt line, Watts	10/5/ 2.5/ 1.25
Transformer Impedance, Ohms, 100V	1k/2k/4k/ 8k
Tappings 70.7 Volt line Watts	5/ 2.5/ 1.25/ 0.375
Driver Impedance, Ohms	8
Effective frequency range, Hz (BS6840)	120-18,000
S.P.L. @ 1m, 1 Watt, dB, Test Signal	
Bandwidth 100Hz-10kHz	91
S.P.L. @ Full Power Octave Bandwidth, dB	100
Acoustic Power (dB-PWL@1 Watt) 1k/2kHz	87/89
Dispersion at 1k/2kHz, Degrees:	180/120
Directivity Axial Q factor, 1k/2kHz	2.50/5.80
Dimensions, front & depth , mm	ø138 x 204
Net weight, kgs	1.55
Colour/Finish	White
Material	ABS plastic with UV inhibitor and stainless steel hardware
Mounting	Aluminium U bracket

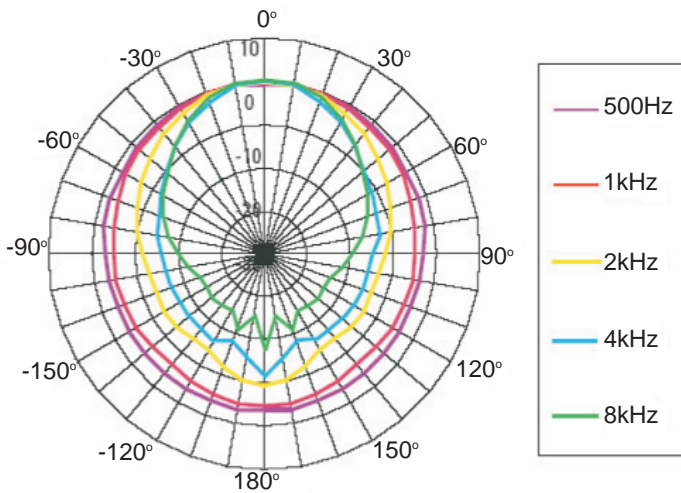
# CAD10/T/ & CAD10/TC



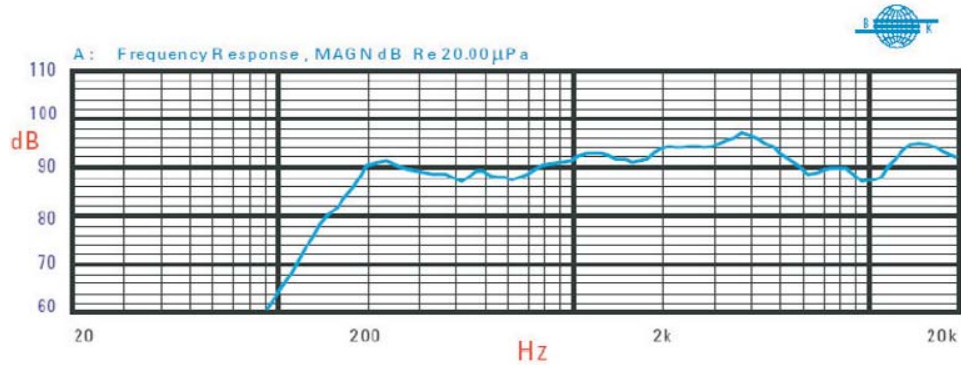
Circuit Diagram

**CAD10/T**

Circuit Diagram



Frequency Response



## Ordering Information

Reference	Part Number	Description
CAD10/T	570.503.046	10W Plastic Weather Resistant Projector Speaker
CAD10/TC	570.503.047	10W Plastic Weather Resistant Projector Speaker, BS5839 Part 8 Compliant

For further information on how ADT can help you, contact your local office or phone free on **0800 010 999** or visit us at [www.adt.co.uk](http://www.adt.co.uk)

Head Office: ADT Fire and Security plc, Security House, The Summit, Hanworth Road, Sunbury-on-Thames, Middlesex TW16 5DB.

ADT and the ADT logo are registered trademarks of ADT Services AG and are used under license.

ADT reserves the right to modify or withdraw any product or service without notice.

