



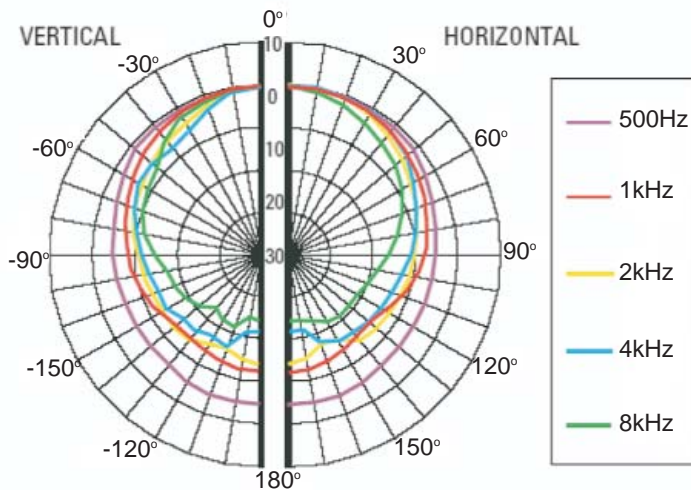
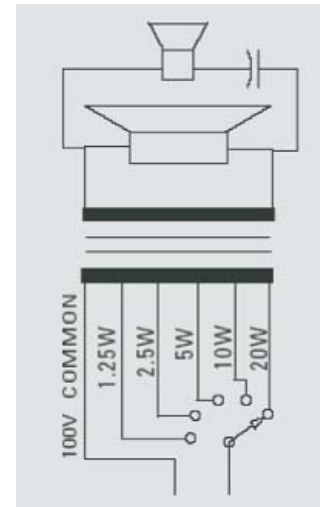
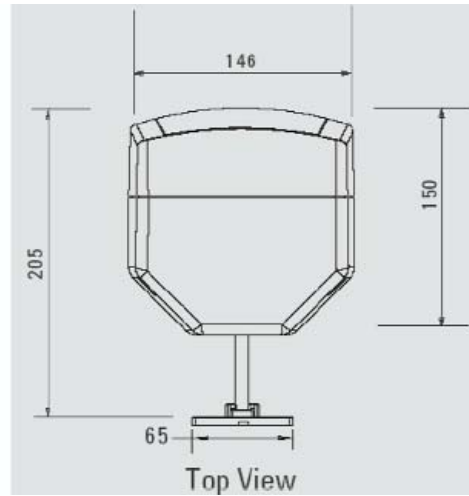
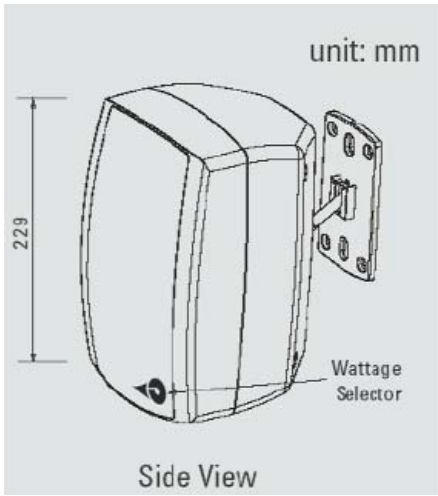
## Music Cabinet Loudspeakers

JD20 & JD20/T

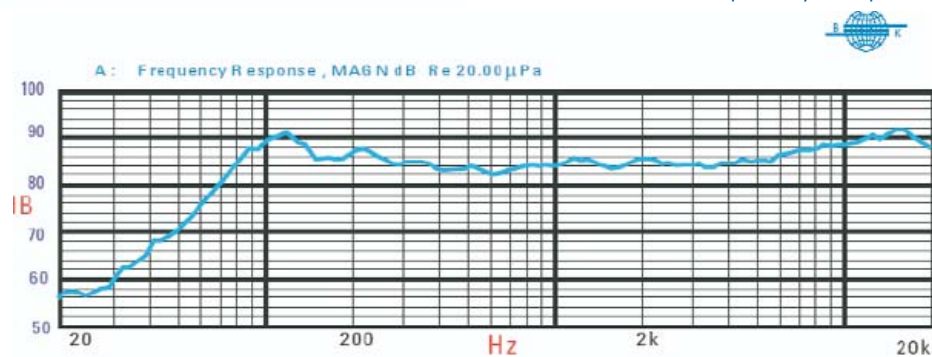
### Technical Specification

Rated power, Watts	20
Tappings 100 Volt line, Watts	20/ 10/ 5/ 2.5/ 1.25
Transformer Impedance, Ohms, 100V	1.67k/ 3.33k/ 6.66k/ 13.3k/ 39.9k
Tappings 70.7 Volt line Watts	10/ 5/ 1.25/ 0.75
Driver Impedance, Ohms	8 (JD20: 16)
Effective frequency range, Hz (BS6840)	63 - 20,000
S.P.L. @ 1m, 1 Watt, dB, Test Signal	
Bandwidth 100Hz-10kHz	81
S.P.L. @ Full Power Octave Bandwidth, dB	97
Acoustic Power (dB-PWL@1 Watt) 1k/2kHz	78/75
Dispersion at 1k/2kHz, Degrees:	160/120
Directivity Axial Q factor, 1k/2kHz	3.50/7.1
Dimensions, front & depth , mm	146 x 229 x 150
Net weight, kgs	1.50
Colour/Finish	White or Black
Material	ABS moulded housing
Mounting	Die-cast Aluminium Swivel Bracket

## SPECIFICATIONS



Frequency Response



## Ordering Information

Reference	Part Number	Description
JD20/T Black	570.503.059	20W Music Quality Cabinet Speaker, Black
JD20/T White	570.503.060	20W Music Quality Cabinet Speaker, White

For further information on how we can help you please visit our website at [www.tycofis.com](http://www.tycofis.com) or e-mail us on [tycofis@tycoint.com](mailto:tycofis@tycoint.com). The right is reserved to modify or withdraw any product or service without notice. PSPV078TFIS Issue 1 March 2007 © 2007

**tyco**

Fire & Integrated  
Solutions

*a vital part of your world*