



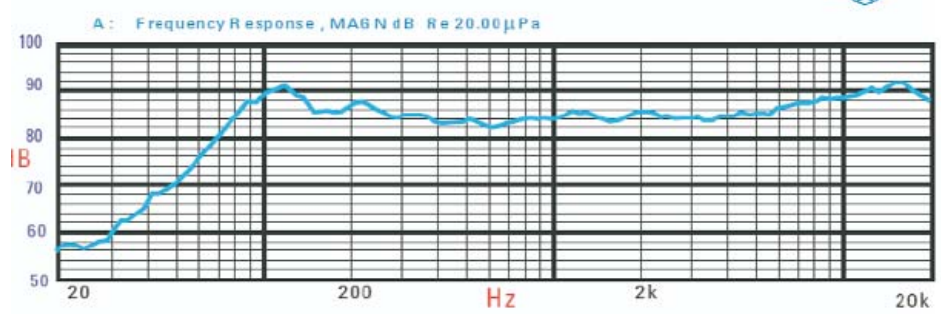
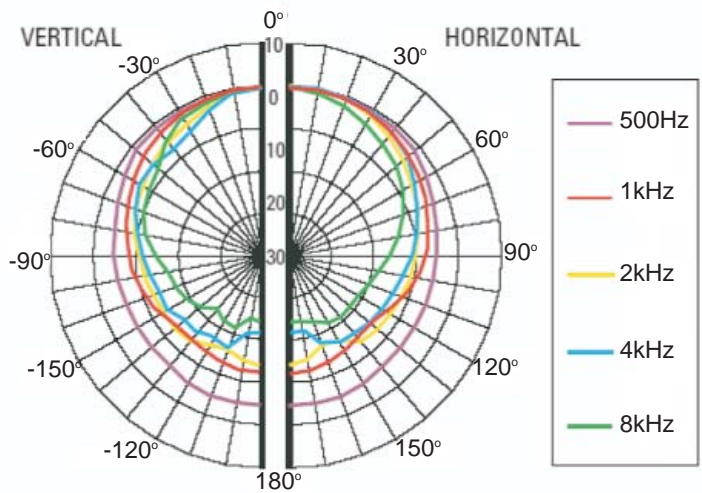
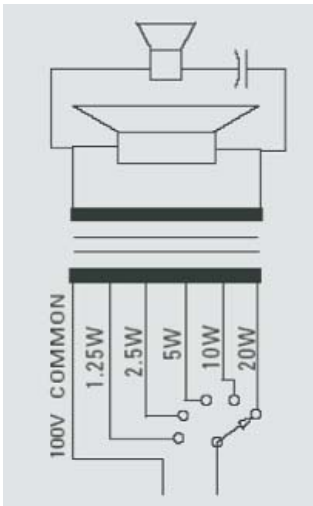
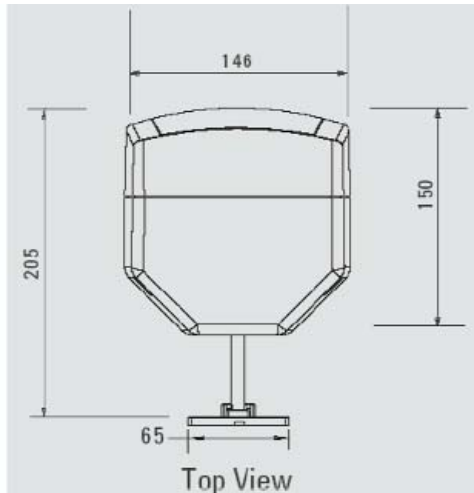
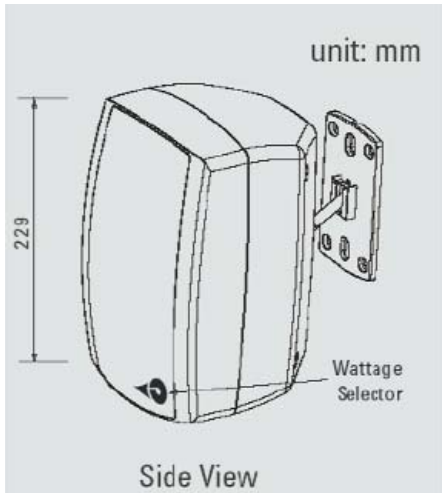
Music Cabinet Loudspeakers

JD20 & JD20/T

Technical Specification

Rated power, Watts	20
Tappings 100 Volt line, Watts	20/ 10/ 5/ 2.5/ 1.25
Transformer Impedance, Ohms, 100V	1.67k/ 3.33k/ 6.66k/ 13.3k/ 39.9k
Tappings 70.7 Volt line Watts	10/ 5/ 1.25/ 0.75
Driver Impedance, Ohms	8 (JD20: 16)
Effective frequency range, Hz (BS6840)	63 - 20,000
S.P.L. @ 1m, 1 Watt, dB, Test Signal	
Bandwidth 100Hz-10kHz	81
S.P.L. @ Full Power Octave Bandwidth, dB	97
Acoustic Power (dB-PWL@1 Watt) 1k/2kHz	78/75
Dispersion at 1k/2kHz, Degrees:	160/120
Directivity Axial Q factor, 1k/2kHz	3.50/7.1
Dimensions, front & depth , mm	146 x 229 x 150
Net weight, kgs	1.50
Colour/Finish	White or Black
Material	ABS moulded housing
Mounting	Die-cast Aluminium Swivel Bracket

JD20 & JD20/T



Ordering Information

Reference	Part Number	Description
JD20/T Black	570.503.059	20W Music Quality Cabinet Speaker, Black
JD20/T White	570.503.060	20W Music Quality Cabinet Speaker, White

For further information on how ADT can help you, contact your local office or phone free on **0800 010 999** or visit us at www.adt.co.uk

Head Office: ADT Fire and Security plc, Security House, The Summit, Hanworth Road, Sunbury-on-Thames, Middlesex TW16 5DB.

ADT and the ADT logo are registered trademarks of ADT Services AG and are used under license.

ADT reserves the right to modify or withdraw any product or service without notice.

