



## Moulded Cabinet Water Resistant Loudspeakers

PMC4/T & PMC4/TC

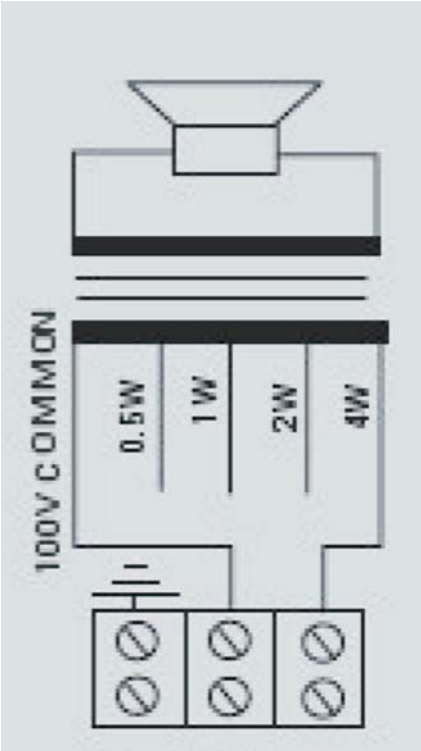
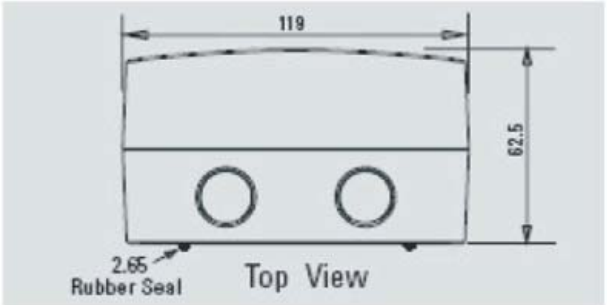
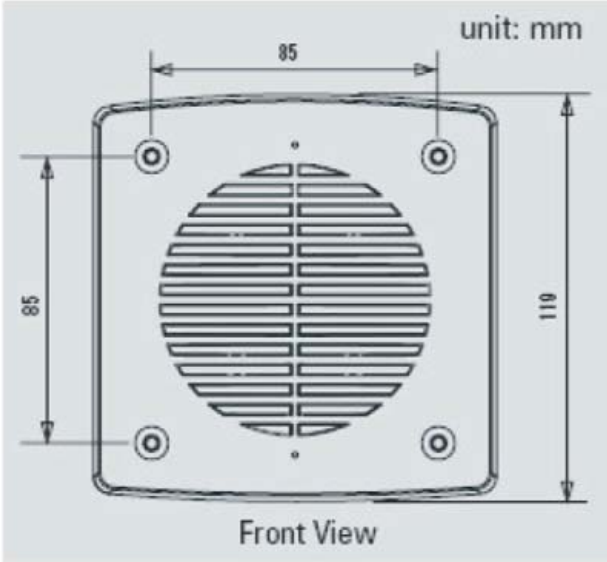
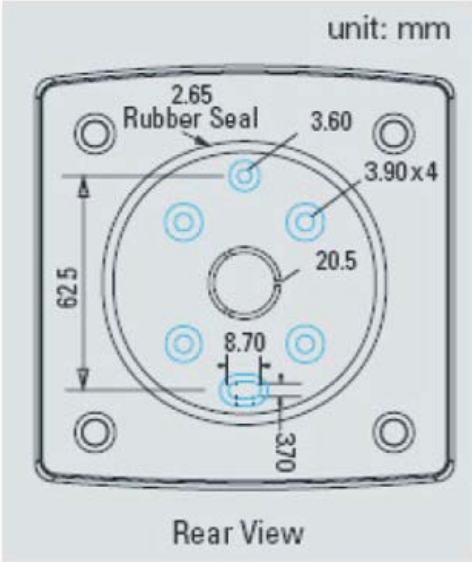
The PMC4/T is a 4 Watt loudspeaker complete with 100 Volt line transformer, ideally suited for high quality speech.

This white un-obtrusive marine, water resistant moulded cabinet loudspeaker, with its treated cones, offers an ideal solution for areas where speech is required in damp, wet and high humidity environments.

Designed to make installation watertight, through cable gland entries situated on all sides and at the rear of the cabinet, this speaker is ideally suited for applications such as saunas, bathrooms, changing rooms, canteens and boat decks. With a polymer coating having been added to the plastic cabinet to avoid discolouration in bright sun light (UV proofed) and to protect against the attack of salt laden environments, it is also ideal for use offshore.

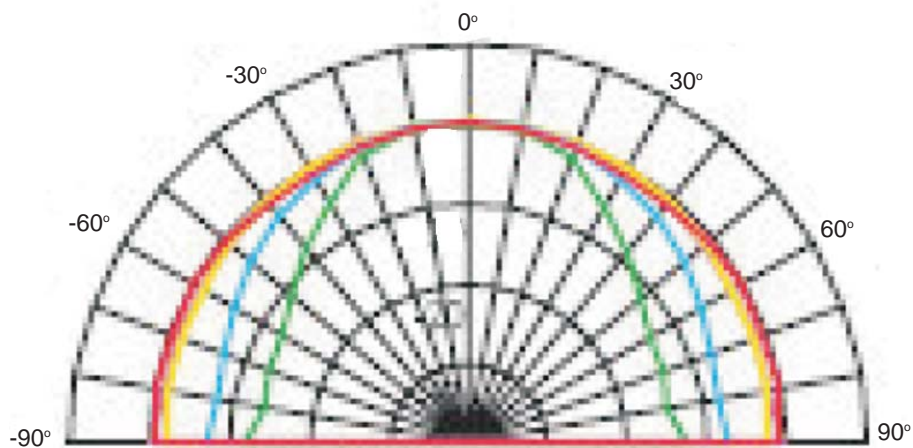
In compliance with BS5839 part 8, the "C" version (PMC4/TC) incorporates a ceramic terminal and thermal fuse and is, therefore, suitable for use in Voice Alarm applications.

# PMC4/T & PMC4/TC

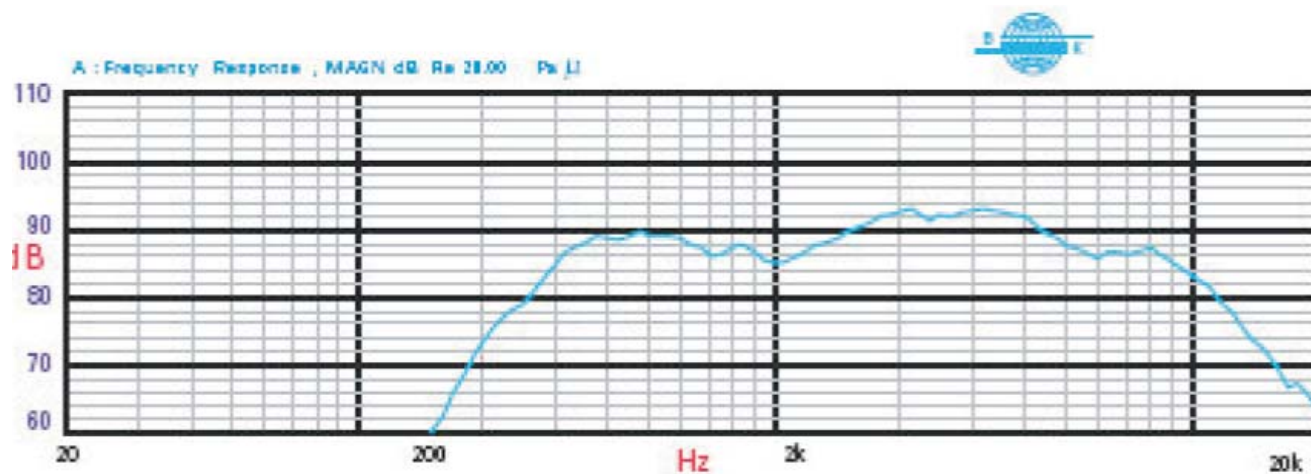
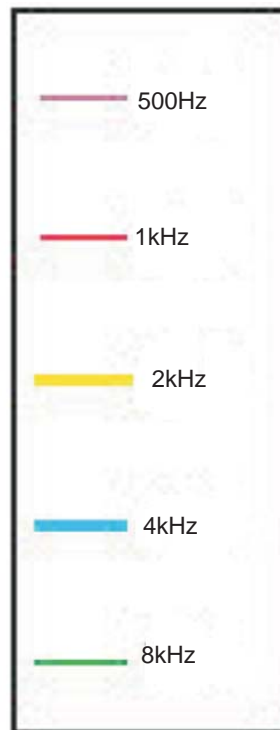


Circuit Diagram

# PMC4/T & PMC4/TC



Polar pattern



Frequency Response

# PMC4/T & PMC4/TC

DATA SHEET

## Technical Specification

Rated power, Watts	4
Tappings 100 Volt line, Watts	4/ 2/ 1/ 0.5
Transformer Impedance, Ohms, 100V	2.5k/5k/10k/20k
Tappings 70.7 Volt line Watts	1.25 /2.5/5/10
Driver Impedance, Ohms	8
Effective frequency range, Hz (BS6840)	220-12,000
S.P.L. @ 1m, 1 Watt, dB, Test Signal	
Bandwidth 100Hz-10kHz	85
S.P.L. @ Full Power Octave Bandwidth, dB	90
Acoustic Power (dB-PWL@1 Watt) 1k/2kHz, dB	88/88
Dispersion at 1k/2kHz, Degrees	180/120
Directivity Axial Q factor, 1k/2kHz	3.7/4.8
Dimensions, front & depth, mm	119 x 119 x 62.5
Net weight kgs	0.69
Colour/Finish	White RAL9016
Material	ABS Plastic with UV inhibitors
Mounting	4 x Screws

## Ordering Information

Reference	Description
PMC4/T	4W Waterproof Cabinet Speaker
PMC4/TC	4W Waterproof Cabinet Speaker, BS5839 Part 8 Compliant

For further information on how ADT can help you, contact your local office or phone free on **0800 010 999** or visit us at [www.adt.co.uk](http://www.adt.co.uk)

Head Office: ADT Fire and Security plc, Security House, The Summit, Hanworth Road, Sunbury-on-Thames, Middlesex TW16 5DB.

ADT and the ADT logo are registered trademarks of ADT Services AG and are used under license.

ADT reserves the right to modify or withdraw any product or service without notice.

