



## Vandalproof Metal Cabinet Loudspeakers

### SENTRY4/STC

The SENTRY range of vandalproof metal cabinet loudspeakers are constructed from epoxy coated high grade steel and can be installed on solid ceilings or walls.

Supplied with dual gland entries which give the installer the option of loop in loop out termination thus avoiding the need for a separate junction box, these cabinets are both robust and aesthetically pleasing.

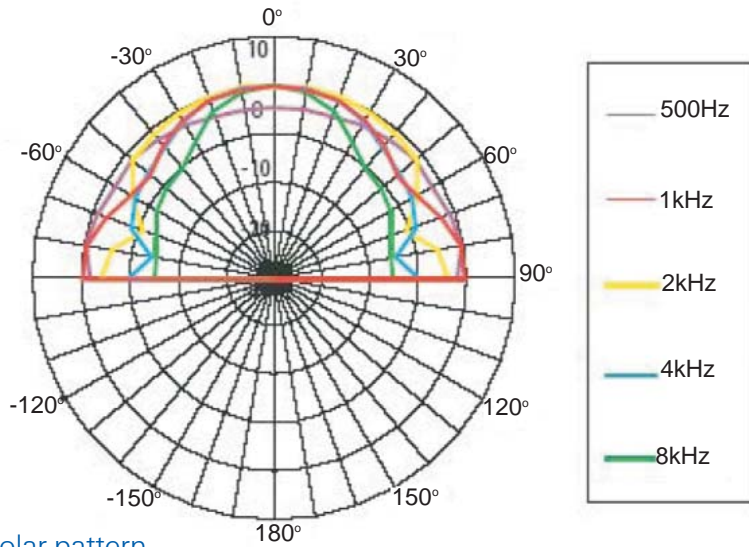
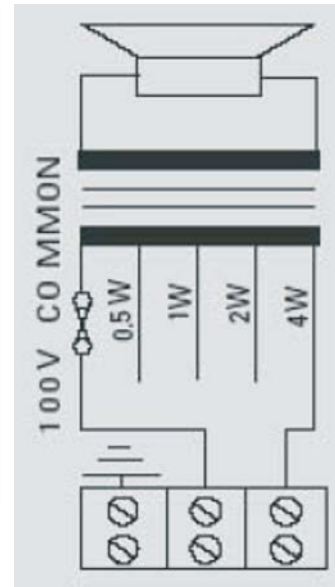
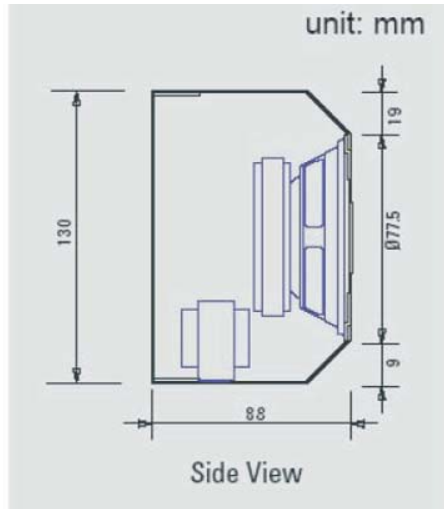
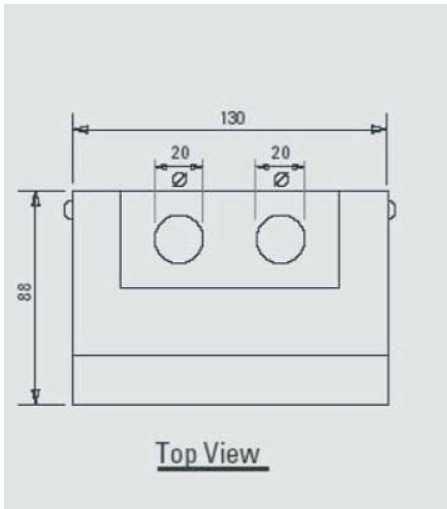
In compliance with BS5839 the SENTRY4/STC incorporate a ceramic terminal and thermal fuse and are, therefore, suitable for use in voice alarm applications.

Alternative finishes are available on request.

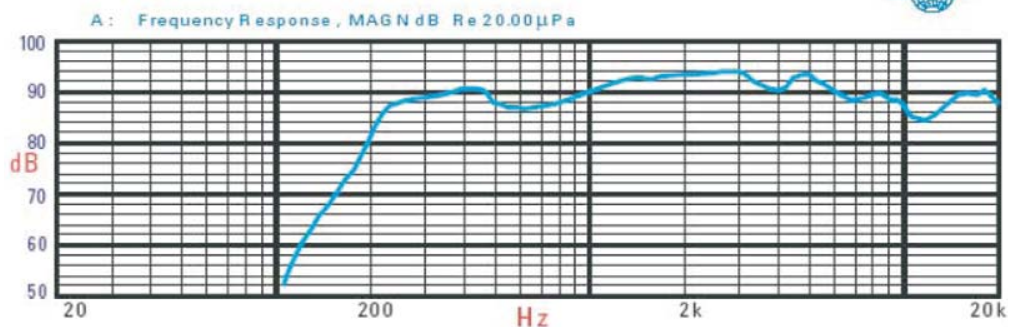
#### Technical Specification

Rated power, Watts	4
Tappings 100 Volt line, Watts	4/ 2/ 1/ 0.5
Transformer Impedance, Ohms, 100V	2.5k/ 5k/ 10k/ 20k
Tappings 70.7 Volt line Watts	2/ 1/ 0.5/ 0.25
Driver Impedance, Ohms	8
Effective frequency range, Hz (BS6840)	170-20,000
S.P.L. @ 1m, 1 Watt, dB, Test Signal	
Bandwidth 100Hz-10kHz	87
S.P.L. @ Full Power Octave Bandwidth, dB	93
Acoustic Power (dB-PWL@1 Watt) 1k/2kHz, dB	85/86
Dispersion at 1k/2kHz, Degrees	110/120
Directivity Axial Q factor, 1k/2kHz	3.2/3.8
Dimensions, front & depth, mm	130 x 130 x 88
Net weight kgs	1.2
Colour/Finish	White RAL9016
Material	Steel
Mounting	Screw

## SPECIFICATIONS



Frequency Response



### Ordering Information

Reference	Part Number	Description
SENTRY4/STC	570.503.010	4W Metal Vandalproof Cabinet Speaker, BS5839 Part 8 Compliant

For further information on how we can help you please visit our website at [www.tycofis.com](http://www.tycofis.com) or e-mail us on [tycofis@tycoint.com](mailto:tycofis@tycoint.com). The right is reserved to modify or withdraw any product or service without notice. PSPV074TFIS Issue 1 March 2007 © 2007

**tyco**

Fire & Integrated  
Solutions

*a vital part of your world*