



## Plastic Ceiling Loudspeakers

PCL5/T

The PCL range of ceiling loudspeakers are manufactured in high grade white ABS plastic compound, UL, VO yellow card approved, with aluminium, epoxy powder coated grille. This combination of materials offers a cost effective alternative to our RCS range, whilst still maintaining its stylish design but with the added benefit of being weather resistant.

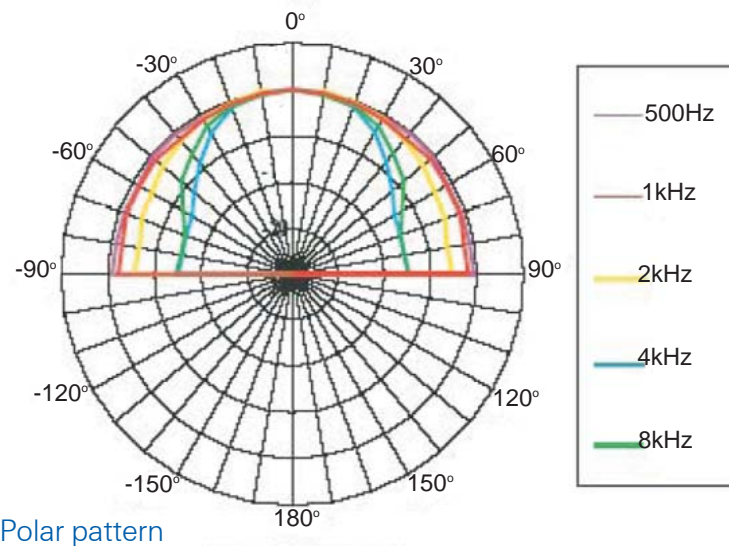
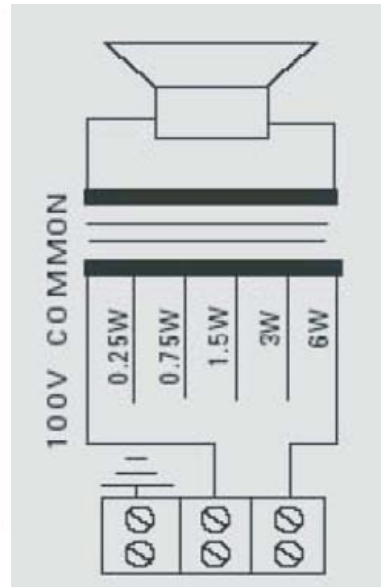
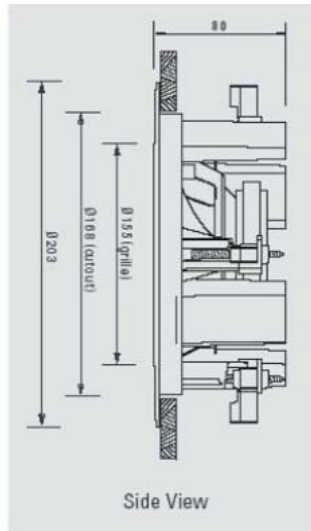
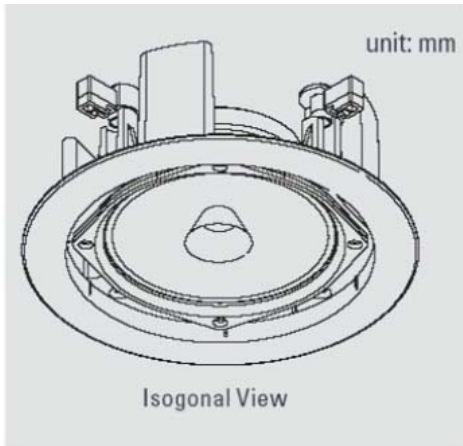
Supplied with a dual cone drive unit, giving a wider frequency range than the standard single cone, make the PCL range more suitable for use in applications where background music is a primary requirement.

Manufactured and tested to a high standard in accordance with BS6840, these units can be treated for use in damp humid environments or facilities where the units need to be frequently wiped clean.

### Technical Specification

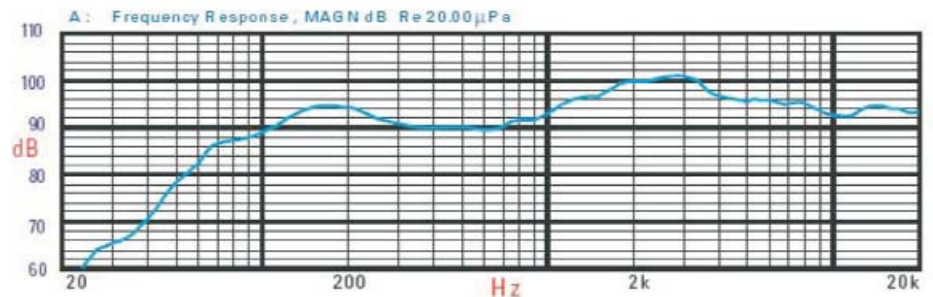
Rated power, Watts	6
Tappings 100 Volt line, Watts	6/ 3/ 1.5/ 0/ 75/ 0.25
Transformer Impedance, Ohms, 100V	1.67k/ 3.33k/ 6.66k/ 13.3k/ 39.9k
Tappings 70.7 Volt line Watts	3/ 1.5/ 0.75/ 0.375/ 0.125
Driver Impedance, Ohms	8
Effective frequency range, Hz (BS6840)	100-17,500
S.P.L. @ 1m, 1 Watt, dB, Test Signal	
Bandwidth 100Hz-10kHz	83
S.P.L. @ Full Power Octave Bandwidth, dB	91
Acoustic Power (dB-PWL@1 Watt) 1k/2kHz, dB	83/81
Dispersion at 1k/2kHz, Degrees	180/160
Directivity Axial Q factor, 1k/2kHz	2.9/6.6
Dimensions, diameter, mm	ø203
Net weight kgs	1.0
Colour/Finish	White
Material	Plastic Baffle ABS with UV inhibitors, Metal Driver Chassis & Grille
Mounting	Rotary compression clamps
Cut-out, mm	ø168

## SPECIFICATIONS



Polar pattern

Frequency Response



### Ordering Information

Reference	Part Number	Description
PCL5/T	570.503.054	6W 5.25" Plastic Ceiling Speaker

For further information on how we can help you please visit our website at [www.tycofis.com](http://www.tycofis.com) or e-mail us on [tycofis@tycoint.com](mailto:tycofis@tycoint.com). The right is reserved to modify or withdraw any product or service without notice. PSPV072TFIS Issue 1 March 2007 © 2007

**tyco**

Fire & Integrated  
Solutions

*a vital part of your world*