



Plastic Ceiling Loudspeakers

PCL5/T

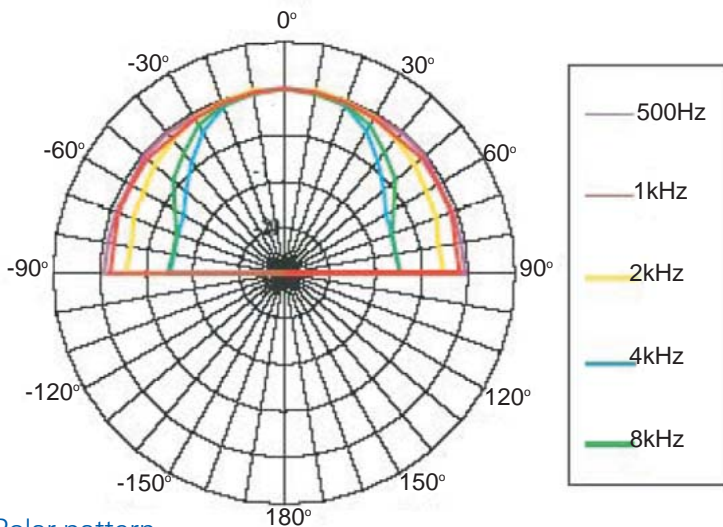
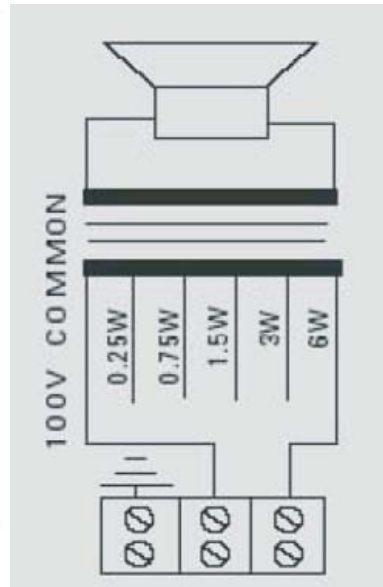
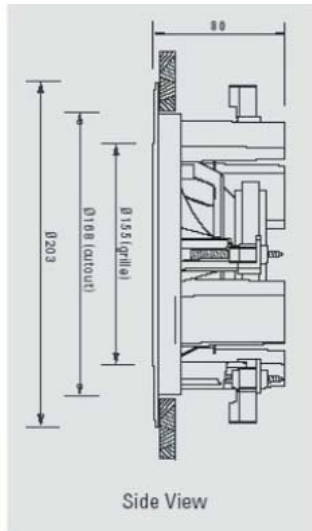
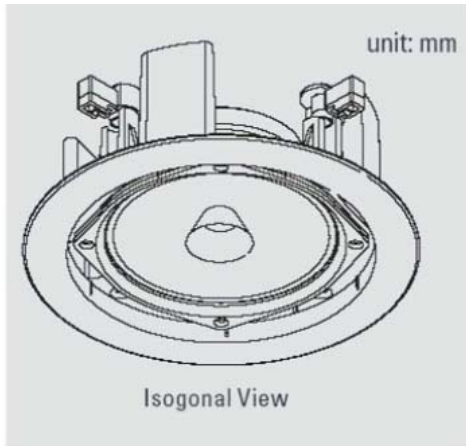
The PCL range of ceiling loudspeakers are manufactured in high grade white ABS plastic compound, UL, VO yellow card approved, with aluminium, epoxy powder coated grille. This combination of materials offers a cost effective alternative to our RCS range, whilst still maintaining its stylish design but with the added benefit of being weather resistant.

Supplied with a dual cone drive unit, giving a wider frequency range than the standard single cone, make the PCL range more suitable for use in applications where background music is a primary requirement.

Manufactured and tested to a high standard in accordance with BS6840, these units can be treated for use in damp humid environments or facilities where the units need to be frequently wiped clean.

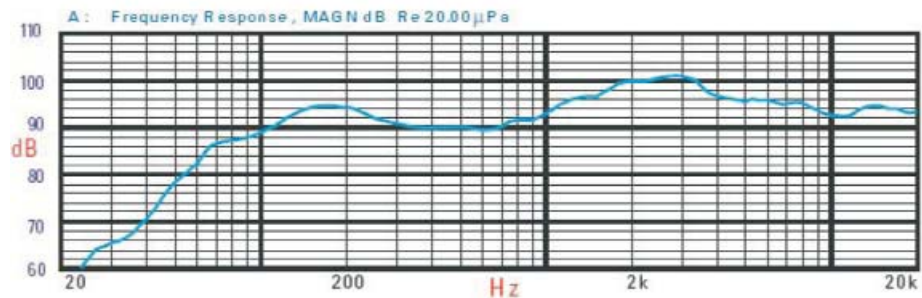
Technical Specification

Rated power, Watts	6
Tappings 100 Volt line, Watts	6/ 3/ 1.5/ 0/ 75/ 0.25
Transformer Impedance, Ohms, 100V	1.67k/ 3.33k/ 6.66k/ 13.3k/ 39.9k
Tappings 70.7 Volt line Watts	3/ 1.5/ 0.75/ 0.375/ 0.125
Driver Impedance, Ohms	8
Effective frequency range, Hz (BS6840)	100-17,500
S.P.L. @ 1m, 1 Watt, dB, Test Signal	
Bandwidth 100Hz-10kHz	83
S.P.L. @ Full Power Octave Bandwidth, dB	91
Acoustic Power (dB-PWL@1 Watt) 1k/2kHz, dB	83/81
Dispersion at 1k/2kHz, Degrees	180/160
Directivity Axial Q factor, 1k/2kHz	2.9/6.6
Dimensions, diameter, mm	ø203
Net weight kgs	1.0
Colour/Finish	White
Material	Plastic Baffle ABS with UV inhibitors, Metal Driver Chassis & Grille
Mounting	Rotary compression clamps
Cut-out, mm	ø168



Polar pattern

Frequency Response



Ordering Information

Reference	Part Number	Description
PCL5/T	570.503.054	6W 5.25" Plastic Ceiling Speaker

For further information on how ADT can help you, contact your local office or phone free on **0800 010 999** or visit us at www.adt.co.uk

Head Office: ADT Fire and Security plc, Security House, The Summit, Hanworth Road, Sunbury-on-Thames, Middlesex TW16 5DB.

ADT and the ADT logo are registered trademarks of ADT Services AG and are used under license.

ADT reserves the right to modify or withdraw any product or service without notice.

