



## Metal Ceiling Loudspeakers

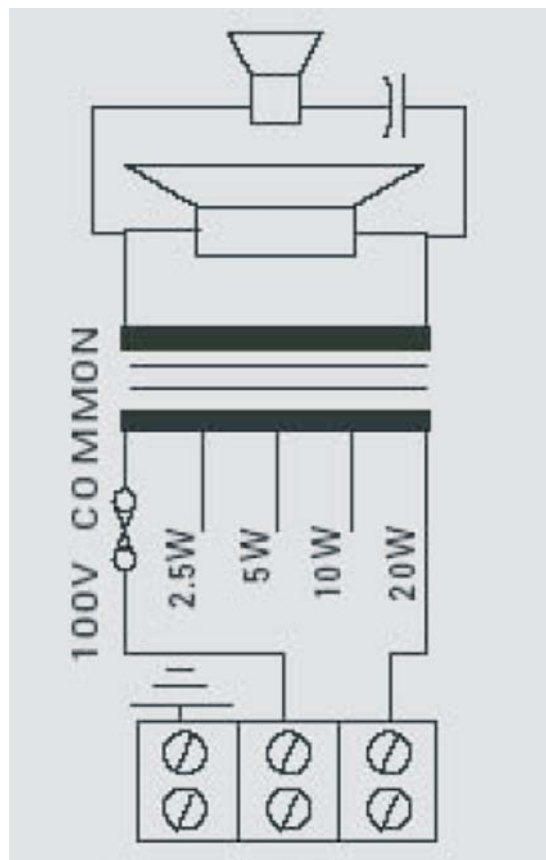
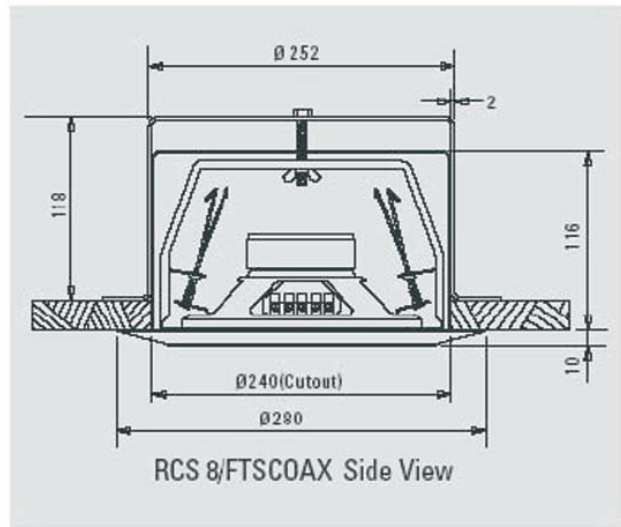
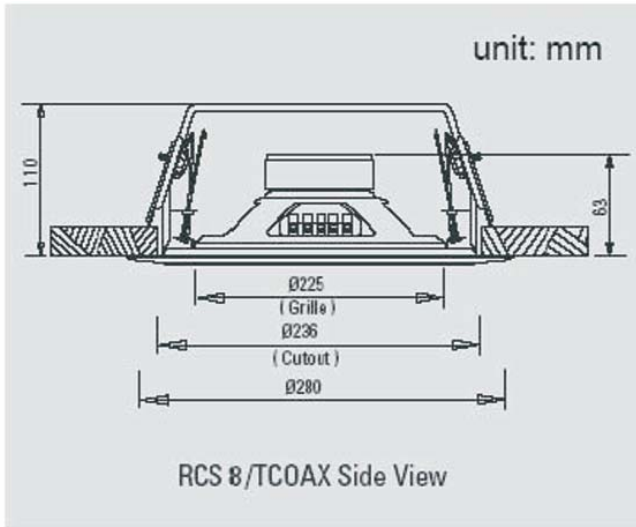
RCS8/TCOAX &  
RCS8/FTSCOAX

The RCS range of co-axial ceiling loudspeakers employ a two-way speaker system comprising a bass midrange driver and separate tweeter. The bass response has been extended to give depth and warmth to both music and vocals. Both drive units have been carefully tailored to give an exceptionally smooth performance whilst still maintaining a high sensitivity for this type of speaker.

Made from a pressed epoxy coated chassis incorporating a twin cone driver, which has a wider frequency range than the standard single cone, this makes the RCS range more suitable for use in applications where background music is a primary requirement.

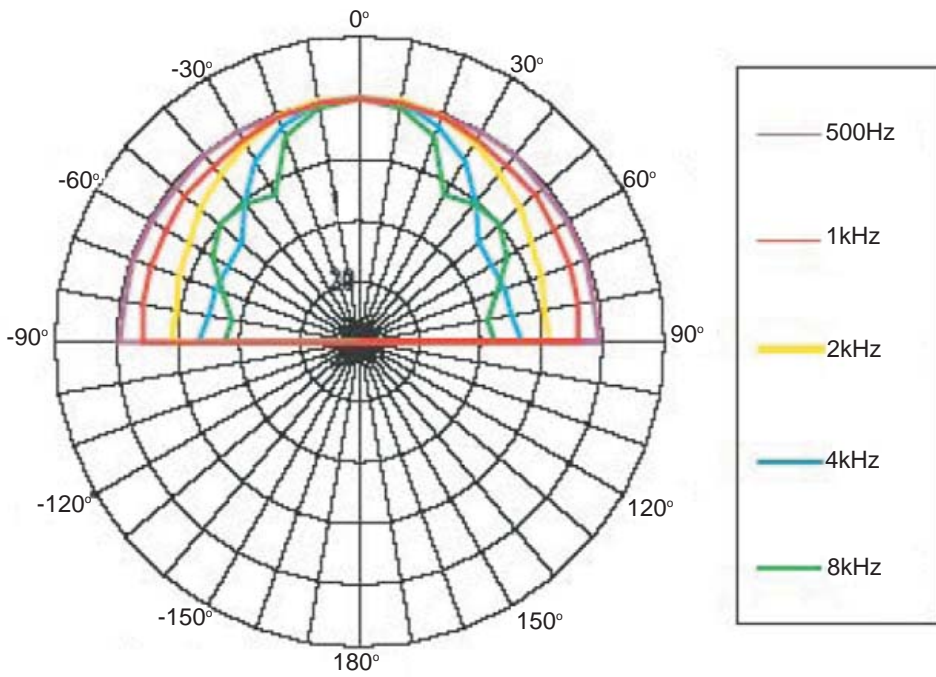
In compliance with BS5839 part 8, the "FTS" version incorporates a ceramic terminal and thermal fuse and are therefore suitable for use in voice alarm applications.

# RCS8/TCOAX & RCS8/FTSCOAX

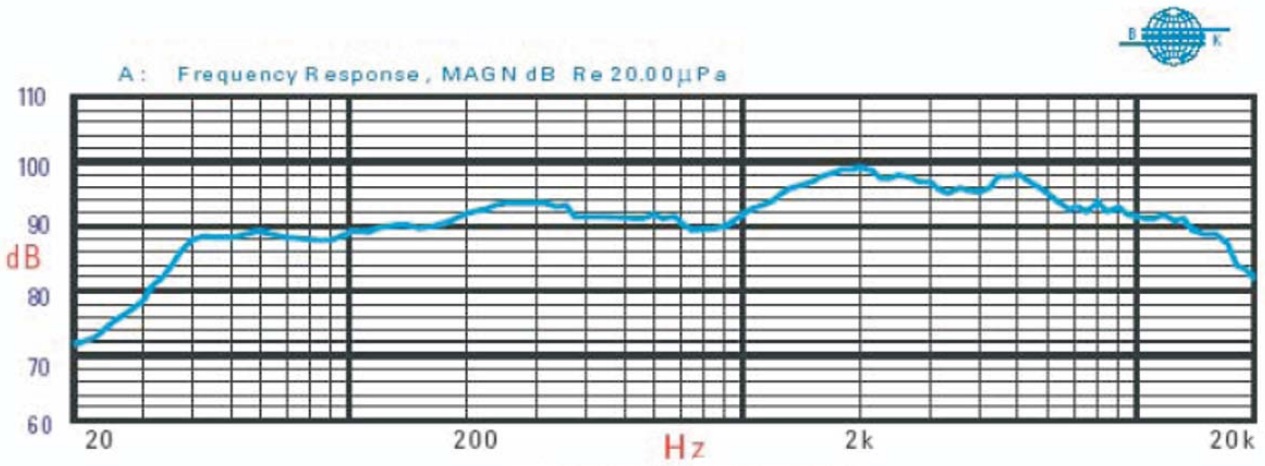


Circuit Diagram

# RCS8/TCOAX & RCS8/FTSCOAX



Polar pattern



Frequency Response

## SPECIFICATIONS

### Technical Specification

Rated power, Watts	20
Tappings 100 Volt line, Watts	20/ 10/ 5/ 2.5
Transformer Impedance, Ohms, 100V	0.5k/ 1k/ 2k/ 4k
Tappings 70.7 Volt line Watts	10/ 5/ 2.5/ 1.25
Driver Impedance, Ohms	8
Effective frequency range, Hz (BS6840)	50-20,000
S.P.L. @ 1m, 1 Watt, dB, Test Signal	
Bandwidth 100Hz-10kHz	94
S.P.L. @ Full Power Octave Bandwidth, dB	107
Acoustic Power (dB-PWL@1 Watt) 1k/2kHz, dB	88/89
Dispersion at 1k/2kHz, Degrees:	RCS8/TCOAX 176/120
	RCS8/FTSCOAX 160/90
Directivity Axial Q factor, 1k/2kHz	RCS8/TCOAX 3.0/6.5
	RCS8/FTSCOAX 5.5/8.6
Dimensions, diameter, mm	RCS8/TCOAX: $\varnothing$ 280
	RCS8/FTSCOAX: $\varnothing$ 280
Net weight, kgs	RCS8/TCOAX: 1.85
	RCS8/FTSCOAX: 2.93
Colour/Finish	White RAL9016
Material	Steel
Mounting	Torsion Springs
Cut-out, mm	RCS8/TCOAX: $\varnothing$ 236
Cut-out, mm	RCS6/FTSCOAX: $\varnothing$ 240

### Ordering Information

Reference	Part Number	Description
RCS8/TCOAX	570.503.020	20W 8" Co-axial Ceiling Speaker
RCS8/FTSCOAX	570.503.021	20W 8" Co-axial Ceiling Speaker, BS5839 Part 8 Compliant

For further information on how we can help you please visit our website at [www.tycofis.com](http://www.tycofis.com) or e-mail us on [tycofis@tycoint.com](mailto:tycofis@tycoint.com). The right is reserved to modify or withdraw any product or service without notice. PSPV071TFIS Issue 1 March 2007 © 2007

**tyco**

*Fire & Integrated  
Solutions*

*a vital part of your world*