



Metal Ceiling Loudspeakers

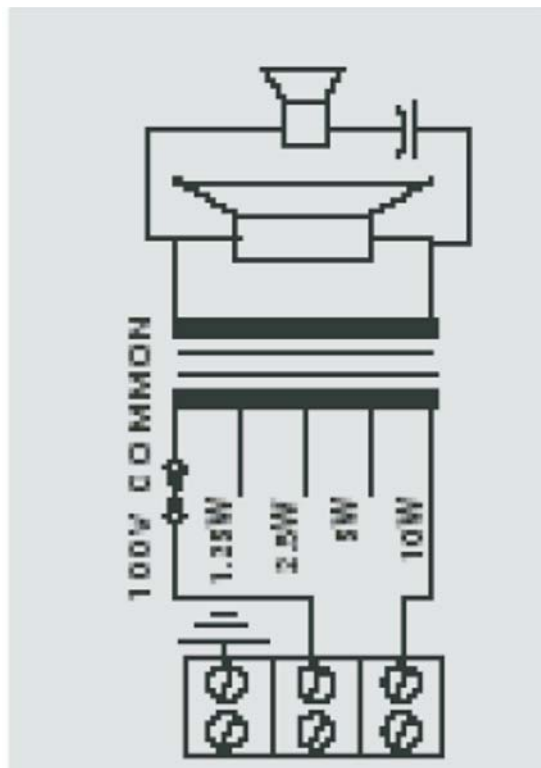
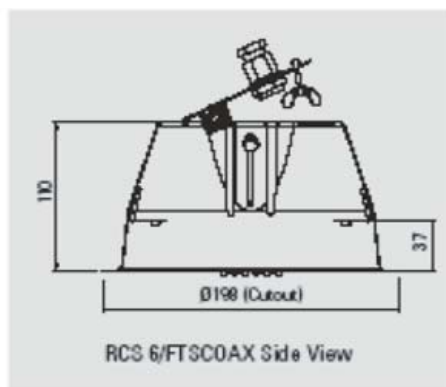
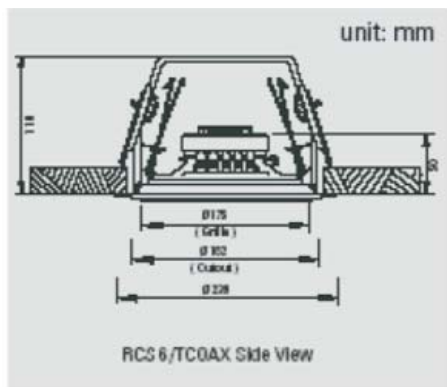
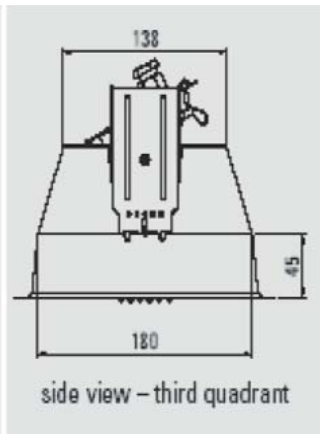
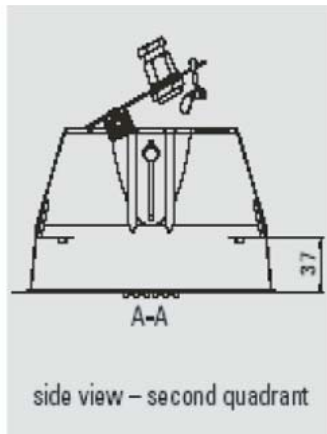
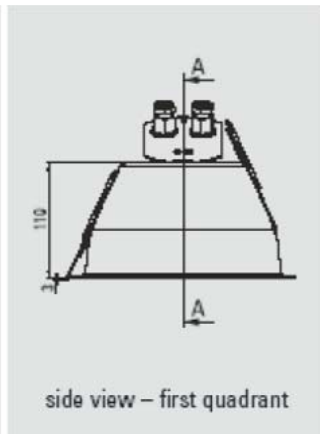
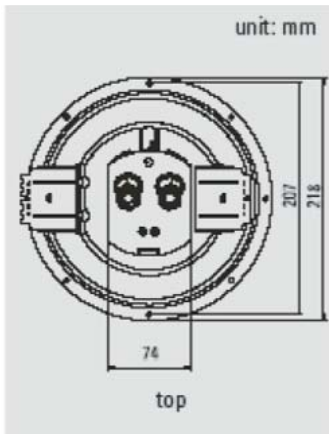
RCS6/TCOAX &
RCS6/FTSCOAX

The RCS range of co-axial ceiling loudspeakers employ a two-way speaker system comprising a bass midrange driver and separate tweeter. The bass response has been extended to give depth and warmth to both music and vocals. Both drive units have been carefully tailored to give an exceptionally smooth performance whilst still maintaining a high sensitivity for this type of speaker.

Made from a pressed epoxy coated chassis incorporating a twin cone driver, which has a wider frequency range than the standard single cone, this makes the RCS range more suitable for use in applications where background music is a primary requirement.

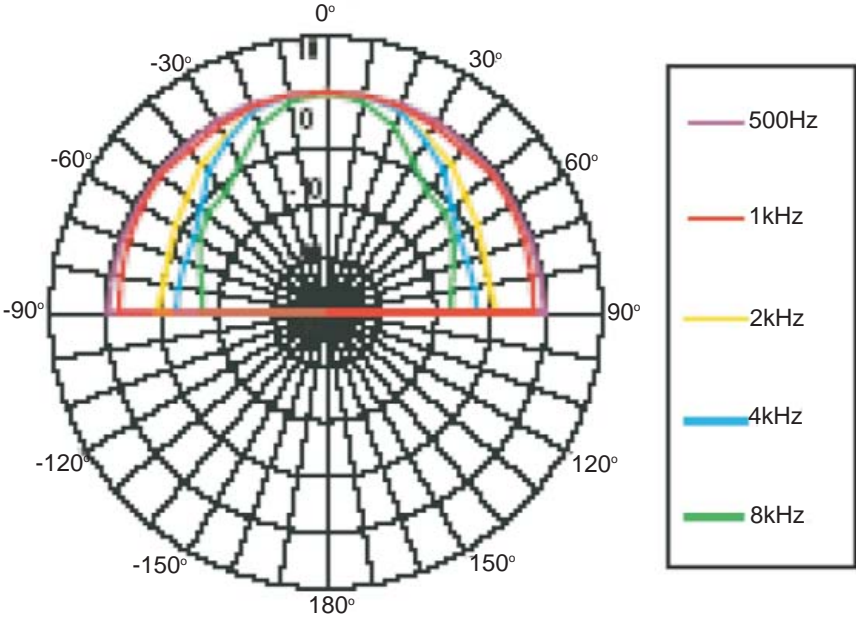
In compliance with BS5839 part 8, the "FTS" versions incorporate a ceramic terminal and thermal fuse and are, therefore suitable for use in voice alarm applications.

RCS6/TCOAX & RCS6/FTSCOAX

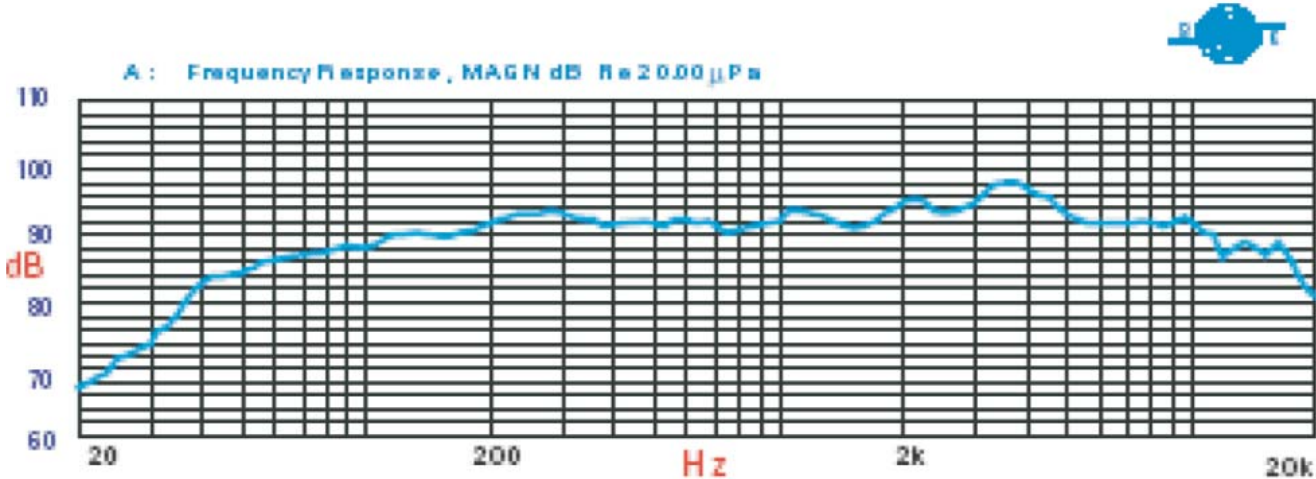


Circuit Diagram

RCS6/TCOAX & RCS6/FTSCOAX



Polar pattern



Frequency Response

SPECIFICATIONS

Technical Specification

| | |
|--|--|
| Rated power, Watts | 10 |
| Tappings 100 Volt line, Watts | 10/ 5/ 2.5/ 1.25 |
| Transformer Impedance, Ohms, 100V | 1k/ 2k/ 4k/ 8k |
| Tappings 70.7 Volt line Watts | 5/ 2.5/ 1.25/ 0.625 |
| Driver Impedance, Ohms | 8 |
| Effective frequency range, Hz (BS6840) | 80–20,000 |
| S.P.L. @ 1m, 1 Watt, dB, Test Signal | |
| Bandwidth 100Hz-10kHz | 92 |
| S.P.L. @ Full Power Octave Bandwidth, dB | 102 |
| Acoustic Power (dB-PWL@1 Watt) 1k/2kHz, dB | 89/88 |
| Dispersion at 1k/2kHz, Degrees | RCS6/TCOAX: 180/140 RCS6/FTSCOAX: 180/140 |
| Directivity Axial Q factor, 1k/2kHz | RCS6/TCOAX: 2.2/4.3 RCS6/FTSCOAX: 2.3/4.2 |
| Dimensions, diameter, mm | RCS6/TCOAX: \varnothing 239 RCS6/FTSCOAX: \varnothing 239 |
| Net weight, kgs | RCS6/TCOAX: 1.25 RCS6/FTSCOAX: 2.06 |
| Colour/Finish | White RAL9016 |
| Material | Steel |
| Mounting | Torsion Springs |
| Cut-out, mm | RCS6/TCOAX: \varnothing 182 RCS6/FTSCOAX: \varnothing 198 |

Ordering Information

| Reference | Part Number | Description |
|--------------|-------------|---|
| RCS6/TCOAX | 570.503.015 | 10W 6.25" Co-axial Ceiling Speaker |
| RCS6/FTSCOAX | 570.503.017 | 10W 6.25" Co-axial Ceiling Speaker, BS5839 Part 8 Compliant |

For further information on how we can help you please visit our website at www.tycofis.com or e-mail us on tycofis@tycoint.com. The right is reserved to modify or withdraw any product or service without notice. PSPV070TFIS Issue 1 March 2007 © 2007

tyco

*Fire & Integrated
Solutions*

a vital part of your world