



Metal Ceiling Loudspeakers

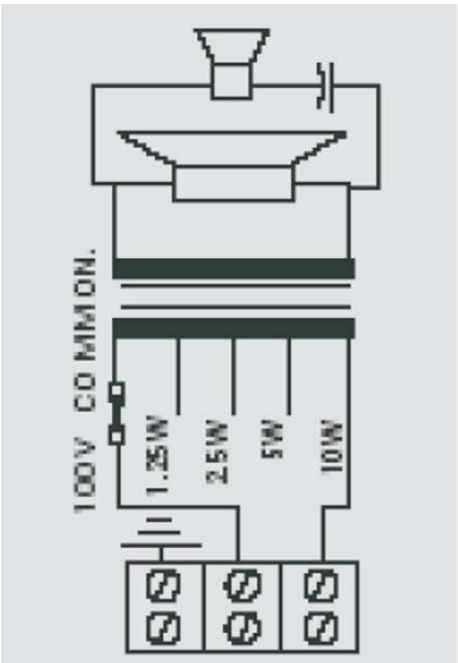
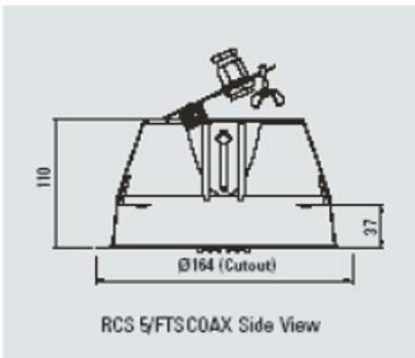
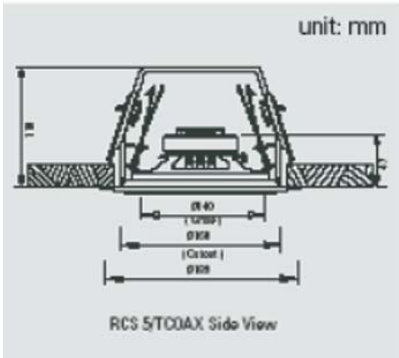
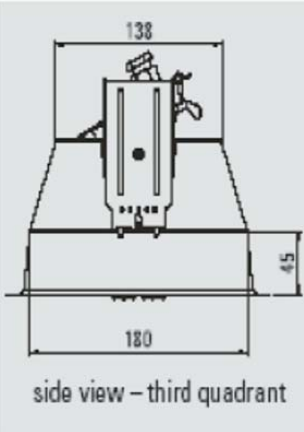
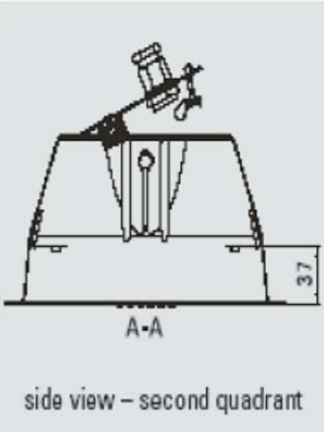
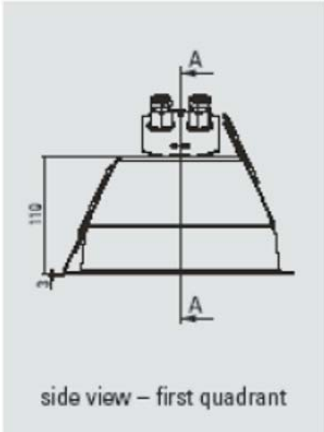
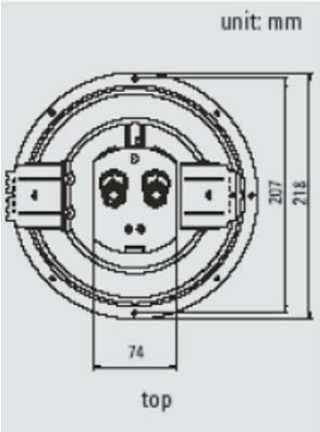
RCS5/TCOAX &
RCS5/FTSCOAX

The RCS range of co-axial ceiling loudspeakers employ a two-way speaker system comprising a bass midrange driver and separate tweeter. The bass response has been extended to give depth and warmth to both music and vocals. Both drive units have been carefully tailored to give an exceptionally smooth performance whilst still maintaining a high sensitivity for this type of speaker.

Made from a pressed epoxy coated chassis incorporating a twin cone driver, which has a wider frequency range than the standard single cone, this makes the RCS range more suitable for use in applications where background music is a primary requirement.

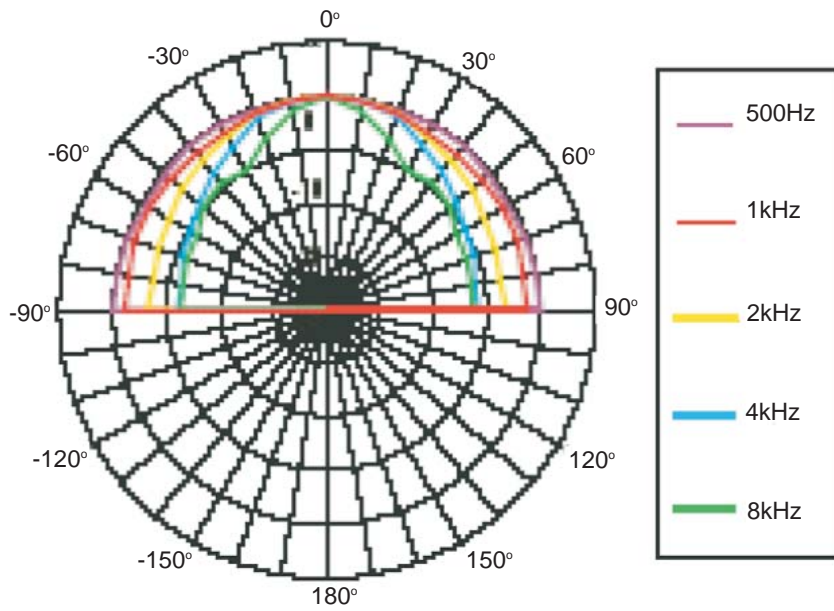
In compliance with BS5839 part 8, the "FTS" version incorporates a ceramic terminal and thermal fuse and are therefore suitable for use in voice alarm applications.

RCS5/TCOAX & RCS5/FTSCOAX

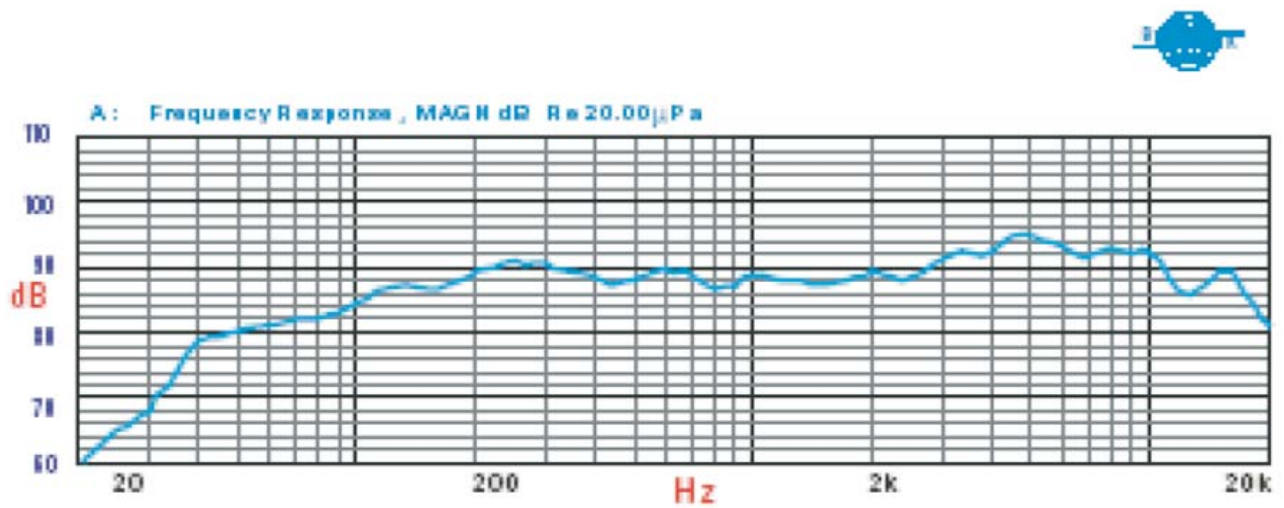


Circuit Diagram

RCS5/TCOAX & RCS5/FTSCOAX



Polar pattern



Frequency Response

RCS5/TCOAX & RCS5/FTSCOAX

DATA SHEET

Technical Specification

Rated power, Watts	10
Tappings 100 Volt line, Watts	10/ 5/ 2.5/ 1.25
Transformer Impedance, Ohms, 100V	1k/ 2k/ 4k/ 8k
Tappings 70.7 Volt line Watts	5/ 2.5/ 1.25/ 0.625
Driver Impedance, Ohms	8
Effective frequency range, Hz (BS6840)	80-20,000
S.P.L. @ 1m, 1 Watt, dB, Test Signal	
Bandwidth 100Hz-10kHz	91
S.P.L. @ Full Power Octave Bandwidth, dB	101
Acoustic Power (dB-PWL@1 Watt) 1k/2kHz, dB	88/86
Dispersion at 1k/2kHz, Degrees	RCS5/TCOAX 180/180 RCS5/FTSCOAX 180/160
Directivity Axial Q factor, 1k/2kHz	RCS5/TCOAX 2.1/4.0 RCS5/FTSCOAX 2.0/5.3
Dimensions, diameter, mm	RCS5/TCOAX: \varnothing 189 RCS5FTSCOAX: \varnothing 189
Net weight, kgs	RCS5/TCOAX: 1.00 RCS5/FTSCOAX: 1.57
Colour/Finish	White RAL9016
Material	Steel
Mounting	Torsion Springs
Cut-out, mm	RCS5/TCOAX: \varnothing 160
Cut-out, mm	RCS5/FTSCOAX: \varnothing 164

Ordering Information

Reference	Part Number	Description
RCS5/TCOAX	570.503.014	10W 5.25" Co-axial Ceiling Speaker
RCS5/FTSCOAX	570.503.016	10W 5.25" Co-axial Ceiling Speaker, BS5839 Part 8 Compliant

For further information on how ADT can help you, contact your local office or phone free on **0800 010 999** or visit us at www.adt.co.uk

Head Office: ADT Fire and Security plc, Security House, The Summit, Hanworth Road, Sunbury-on-Thames, Middlesex TW16 5DB.

ADT and the ADT logo are registered trademarks of ADT Services AG and are used under license.

ADT reserves the right to modify or withdraw any product or service without notice.

