



Small Public Address Systems

340 Watt 6 Inputs Amplifier -
2571/022

Features:

- Output power - 340W RMS @ 100V Line
- 6 balanced XLR inputs with sensitivity controls
- Switchable 24V Phantom Power on each input
- 3 band equalisation on each input
- 5 local speaker selectors
- Switchable VOX priority override on channels 1 & 2
- Overrides defeat all music modules and channels 3,4,5 & 6
- 600 Ohms telephone/priority input provides VOX override of all other channels
- Remote microphone input
- 4 tone chime- local and remote operation
- 19" rack mount kit supplied as standard (extra horizontal supports are recommended if mounting into any 19" enclosure)
- Optional modules - tuner (2571/025), cassette (2571/026) & CD (2571/027)
- The left slot takes a tuner module only. The right slot takes either a CD or cassette module
- May be used with either single zone microphone (2571/040) or 5 zone microphone & console (2571/041)

Six universal balanced inputs, together with optional music modules. Ideal for applications where flexibility, reliability and excellent audio quality are required.

340 Watt 6 Inputs Amplifier - 2571/022

DATA SHEET

Technical Specification

Power output	AC 230V 50Hz
Pre-amp output	1V/600 Ohms
Link output	500mV/600 Ohms
Output Power	340W @ 100V/70V
Input sensitivity/impedance	
AMP IN	1V/47k Ohms
Link IN	100mV/15k Ohms
Telephone Input (adjustable 250mV - 1V Inside)	0.775V/600 Ohms
CH1 ~ CH6 (balanced, MAX)	1mV/10k Ohms

Total harmonic distortion (at rated output, 1kHz)
Less than 1%

Frequency response 80Hz ~ 20kHz

Channel equalisation (at 100Hz, 1kHz, 10kHz)
±12dB

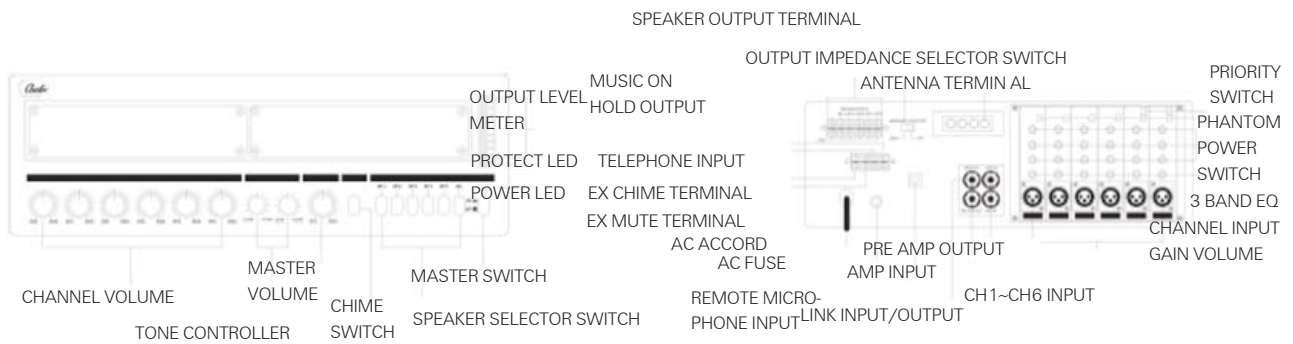
Tone Control
Bass (100Hz) ± 12dB
Treble (10kHz) ± 12dB

Dimensions 420(W) x 132(H) x 360(D) mm

Weight 11kg

Typical Applications

Shops
Offices
Garages
Transport terminals



For further information on how ADT can help you, contact your local office or phone free on **0800 010 999** or visit us at www.adt.co.uk

Head Office: ADT Fire and Security plc, Security House, The Summit, Hanworth Road, Sunbury-on-Thames, Middlesex TW16 5DB.

ADT and the ADT logo are registered trademarks of ADT Services AG and are used under license.

ADT reserves the right to modify or withdraw any product or service without notice.

