



The MSL 1000 is linked to the Master Fault Monitoring System (FMS) which will report any problems with the system.

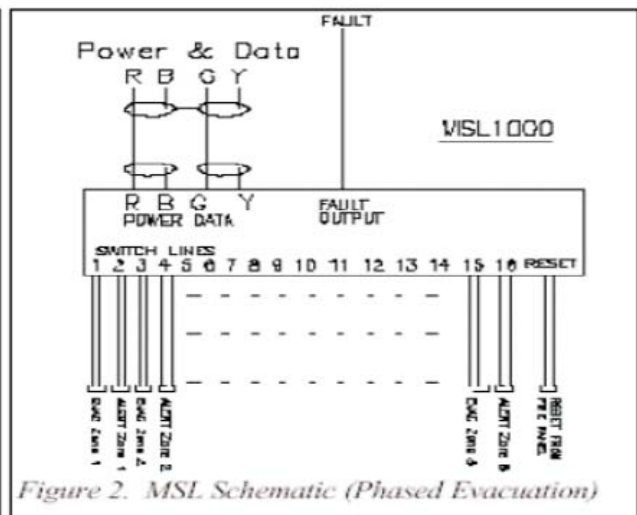
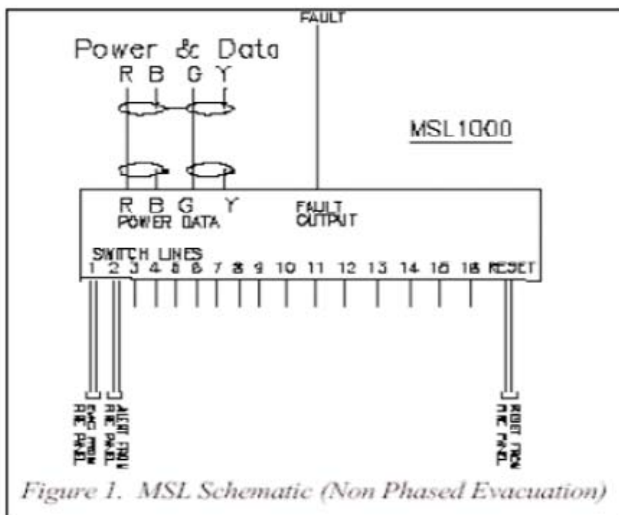
The detector is designed to signal a fault condition to the FMS if power to the unit is lost.

The output connections of the interface are linked to the serial 485 interface card and housed into a single 19" rack mountable, 1U chassis. This connects the Audix Alpha audio processor, which contains the emergency message cards. The data between the MSL 1000 and Alpha is fault monitored and data errors are reported to the master FMS.

Whenever the fire alarm contact activates, the MSL 1000 will send data to the Audix Alpha audio processor and trigger the emergency fire message.

Messages are stored as raw data files and not as simple tone generators, so any voice and/or alarm message can be recorded and stored on the message cards.

- The fire panel should maintain the contact for the duration of the alarm condition.
- Whenever an output from the Fire Panel is switched to the non alarm state, the reset output must be pulsed for 2 seconds.



For further information on how ADT can help you, contact your local office or phone free on **0800 010 999** or visit us at [www.adt.co.uk](http://www.adt.co.uk)

Head Office: ADT Fire and Security plc, Security House, The Summit, Hanworth Road, Sunbury-on-Thames, Middlesex TW16 5DB.

ADT and the ADT logo are registered trademarks of ADT Services AG and are used under license.

ADT reserves the right to modify or withdraw any product or service without notice.

