

- Offices
- Leisure Centres
- Schools
- Theatres
- Stadia
- Museums
- Railway Stations
- Factories
- Airports
- Corporate HQ
- Arenas
- Conference Centres
- Ferries
- Cruise Ships
- Hotels
- Magistrates Courts
- MOD
- Call Centres
- Multi Building Sites
- Retail
- County Courts
- Shopping Centres



EmerCall Type B Outstation

The **EmerCall** Emergency Voice Communication System is a fixed, secure, bi-directional, full duplex voice communication system to assist fire fighters in an emergency in high rise buildings or large sites where radio communication may not work, and covers the operation of both fire telephones and disabled refuge systems. Where both systems are fitted to a building BS5839 Part 9:2003 specifies these should form a single system.

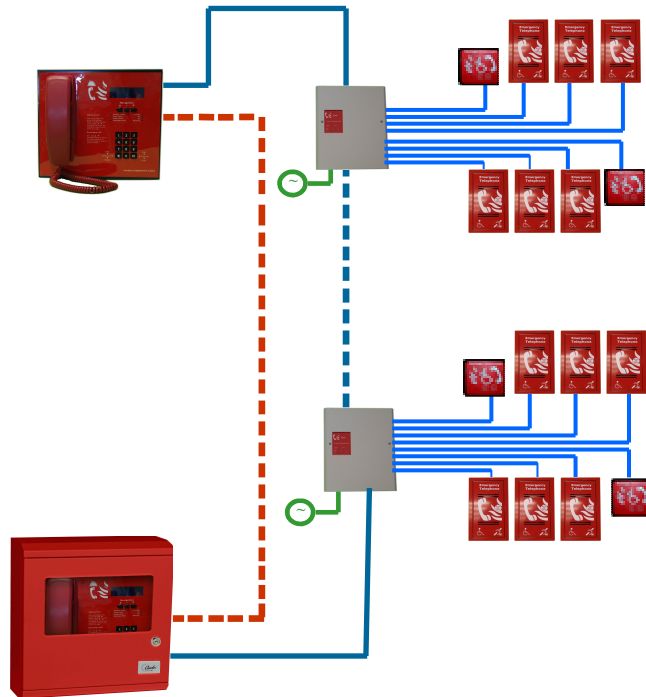
The **EmerCall** EVCS comprises of three functional blocks, the master handset (**EmerCall** 2572001), the eight line exchanges (**EmerCall** 2572.002) and outstation handsets (**EmerCall** 2572003, 004, 005 & 006), with the quantities of these basic units being adjusted to suit the application.

EmerCall Type B Outstation Features

- BS5839 Pt 9:2003 compliant
- Hands Free Operation
- Compact design
- High volume ringer
- Flashing Status LED
- Braille Signage
- Duplex Speech
- 20mm cable glands
- Fully monitored
- Stainless steel option
- Red or green front

EmerCall Type B Outstation - 2572009

Fire Telephones & Disabled Refuge



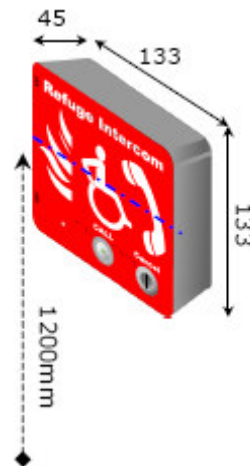
Mounting the Outstation Handset:

The outstation handset should be mounted at a height of either 1200mm from the floor, or on a 1400mm centre line to comply with the requirements of Building Regulations Document M (Access for the Disabled). As the unit is to be used as a refuge point suitable space must be left to the side of the unit to allow a wheelchair to be parked for using the system.

If the unit is to be used as a refuge point suitable space must be left to the side of the unit to allow a wheelchair to be parked for using the system.

Fire Telephones & Disabled Refuge

Physical:	
Height:	133mm
Width:	133mm
Depth:	45mm
Weight:	1.0kg
Material:	Zintec, texture powder coated RAL3001 signal red
Indication & Controls:	
Status LEDs:	1 off red (flashes for line location, lights solid for call confirmation).
Call:	Press to call button
Cancel:	Press to cancel button
Outstation Handset Cables:	
Grade:	Enhanced
Cable (per line):	1 off 2 core (twisted for MICC)
Distance (per leg):	500m soft skin types, 300m MICC twisted
Monitoring:	DC open, short & earth
Standards Compliance:	
EMC:	EN55103-1, EN55103-2
LVD:	EN60950
Product family:	BS5839-pt 9, BS5588-pt 8, EN60118-4



Audix Systems reserves the right to modify or withdraw any product or service without notice