



Aritech EV100 Series

High Performance PIR

Features:

- 7 curtains of protection
- 12m coverage
- ASIC with "4" processing providing improved detection and false alarm immunity
- Additional Bi-curtain processing for harsh environments
- Precision "Gliding Focus Curtain" mirror
- True range control (Autofocus) for stable performance in all sizes of rooms up to 12m
- Individual masking of curtains
- Remote enable/disable of walk test LED
- Selectable control polarity
- Precision "Guiding Focus Curtain" mirrors
- Sealed 4D/Bi-curtain processing
- Low current draw

The EV100 series is ideally suited to small room applications featuring solid curtains of detection, range control, selectable bi-curtain processing for harsh environments, sealed optics, "4D" signal processing from a custom ASIC. The EV100 series has all major European security Approvals.

The EV100 has been designed specially for Residential/short range commercial applications. Details such as plug-in electronics allow rapid wiring while the Gliding Focus Curtains ensure that you have simple commissioning with perfect detection every time, without the need for time consuming alignment.

The EV100 series enables rapid installation, provides sharp detection every time while guaranteeing excellent false alarm immunity with the highest quality.

Volumetric Curtains of Detection

Benefitting from the success of the EV series PIR's, the EV100 also features solid curtains of detection. Full undercrawl protection gives maximum security while the special characteristics of a "Curtain" ensures not only better intruder detection but also better PIR stability from the environment.

"4D" Signal processing

4D signal processing is the latest generation of PIR processing taken from EV400 Plus. 4D allows the PIR processing to intelligently analyse a signal pattern and distinguish between real human movement and false alarm hazards. The PIR processing is resistant to false alarms by analysing the size, shape and speed of successive signals

True Range Control

The EV100 series is able to adjust the PIR range. Due to the strength of the Gliding Focus Curtain Mirror, it is possible to reduce how hard the detector is working in smaller rooms, making the detector even more stable, without compromising it's excellent detection.

Aritech EV100 Series

Pet immune EV 100PI

This detector is designed to be immune up to certain sizes of pets. Pets up to 20 kg will usually not cause any problems in standard applications. Consequently the product is less sensitive to an intruder in the pet immune zone.

Larger pets are accommodated by mounting the PI detector upside down 90 cm from the floor. The recommended minimum mounting height of the PI application is 2.4 m.

Siting The Detector

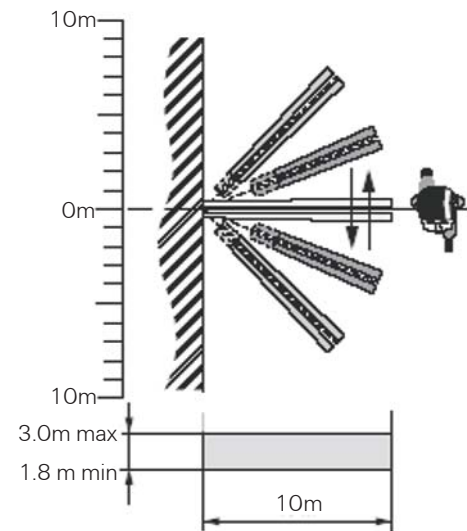
Install the detector so that the expected movement of an intruder will be across the fields of view. This is the direction best detected by PIR detectors.

Avoid possible false alarm sources such as:

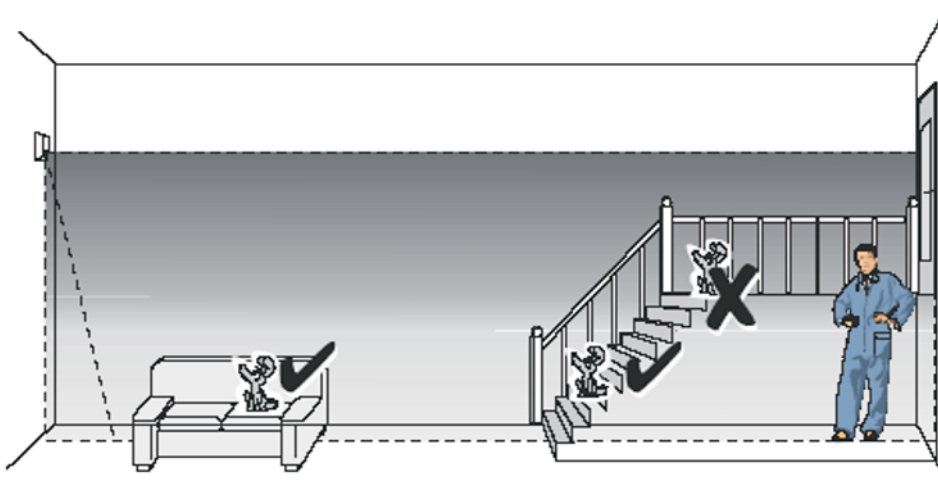
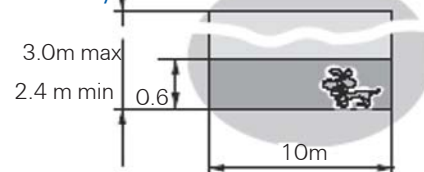
- Direct sunlight onto the detector;
- Heat sources in a field of view (heaters, radiators, etc.);
- Strong air draughts onto the detector (fans, air-conditioning etc.);
- Large animals (dogs, cats) in a field of view;

GE recommends that the detector is regularly walk tested and checked back at the control panel.

EV100



EV100PI Only



Technical Specification

Detection range	10 m
Undercrawl protection	Yes
Detection range selection	10 m or 6 m
Coverage field of view	86° with 5 curtains
Coverage pattern selection	Undercrawl blinder
Mounting height	1.8 to 3.0 m
Power supply	9 to 15 VDC
Current consumption (nom.)	4.5 mA
Alarm relay (voltage free)	NC when energised
Tamper relay (voltage free)	NC when cover closed
Remote control lines	Walk test
Alarm memory	No
PIR process mode	Standard / Bi-curtain
Dimensions (W x H x D)	51 x 98 x 47 mm
Ambient conditions	-10 to +55°C; 95% relative humidity
Pry-off tamper	ST400 (optional)
EN50131-2-2	Grade 2

Product Codes

EV100	Step & Gliding Focus Multi Curtain Mirror optics Passive Infra Red Detector, wide angle (86° with 5 curtains) selectable range 10m or 6m, NC relay
EV100PI	Step & Gliding Focus Multi Curtain Mirror optics Passive Infra Red Detector, wide angle (86° with 5 curtains) selectable range 10m or 6m, NC relay, Pet Immune version

For further information on how ADT can help you, contact your local office or phone free on **0800 010 999** or visit us at www.adt.co.uk

CE

Head Office: ADT Fire and Security plc, Security House, The Summit, Hanworth Road, Sunbury-on-Thames, Middlesex TW16 5DB.
ADT and the ADT logo are registered trademarks of ADT Services AG and are used under license.
ADT reserves the right to modify or withdraw any product or service without notice.

Ref No PSI234A Issue 2 February 2009

© 2009 Tyco International



ADT Always There®