



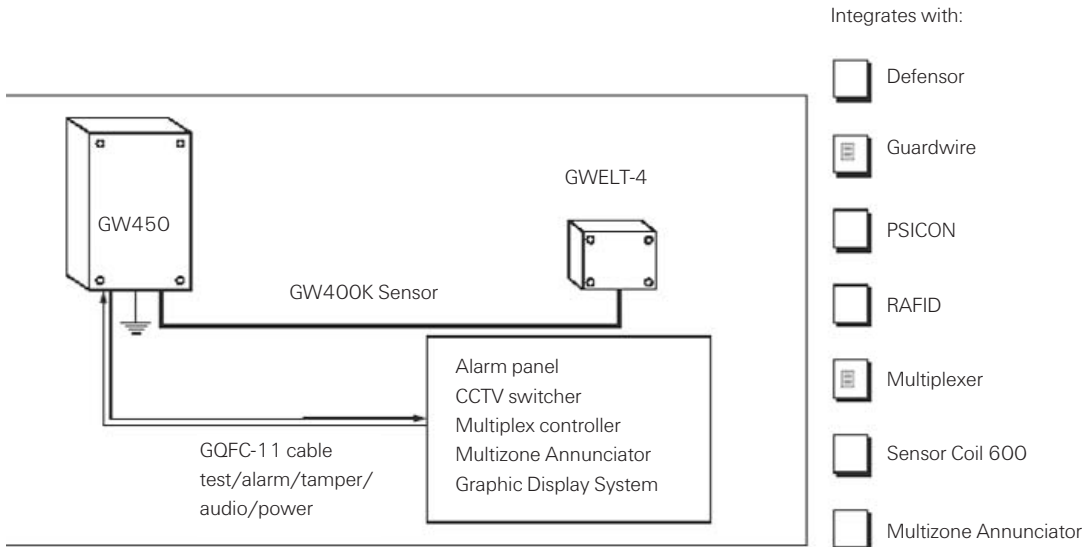
Internal Analyser GW450

Features:

- Signal analysis for GW400K sensor
- Industry standard alarm and tamper outputs
- Powered by 12V dc
- Self verification via standard audio output
- Dual channel signal processing enables individual signal analysis and adjustment of all types of intruder activity
- Designed for interior building applications

Intruder detection on internal applications such as walls and cladding is achieved by the GW450 analyser and the GW400K sensor. With its dual channel signal processing capability it is in effect two analysers in one, detecting independently the unique signals generated by the different types of building attack, such as drilling and hammering.

The analyser design also incorporates individual channel sensitivity for both channels plus a time and event window which enables individual configurations to be set up to local detection and environmental conditions. Alarm activations can be verified using the audio output that is a standard feature. The use of remote or local annunciation will enable security staff or key holders to listen to the attack. The GW450 analyser together with the GW400K sensor can be used as a stand alone detection system providing simple alarm outputs, or it can be enhanced with Geoquip's range of control and annunciation equipment.



Technical Information

Application	Signal analysis of GW400K sensor providing intruder detection of drilling, hammering, grinding etc attacks to building fabric
Outputs	
Alarm/tamper	Form A relays
Contact rating	Voltage 110V ac or 30V dc Current 0.3A ac or 1.0A dc Power 30VA or 20W
Audio monitoring	OdBm into 600
Lightning Protection	Semiconductor surge suppressors Spark gaps and transformer coupling
Immunity	RF immunity to BS6667 (certified)
Electro Magnetic Compatibility	Complies with BS EN50081-1 and EN50082-1
Self Test	Remote self test
Internal Indicators	Alarm and tamper status Event indicator
Internal Controls	Dual sensitivity adjustments Event selectable 1-9 Time selectable 1-9 (30 second intervals)

Dimensions	
GW450-1	160mm x 260mm x 90mm
GW450-2	332mm x 232mm x 110mm
Weight	
GW450-1	2.4kg
GW450-2	5.0kg
Fixing Method	Four screws plus mounting bars
Power Requirements	10.2V - 13.8V dc (12V ±15%)
Power Consumption	100mA at 12V dc (per PCB)
Housing Material	Die cast aluminium
Colour	Grey
Rating	IP65
Operating Temperature	-25C to +80C
Options	Dual analyser box configuration Special environmental filters for different building types
Installation Time	30 minutes
Location	Internal mounted
Maintenance	Regular self test and inspection
Installation	By any Geoquip approved installer or reseller
Warranty	12 month from date of invoice

Ordering Information

GW450-1	Single zone analyser
GW450-2	Dual zone analyser
Inputs	Analogue input from GW400K sensor

For further information on how ADT can help you, contact your local office or phone free on **0800 010 999** or visit us at www.adt.co.uk



Head Office: ADT Fire and Security plc, Security House, The Summit, Hanworth Road, Sunbury-on-Thames, Middlesex TW16 5DB.
ADT and ADT Always There is a registered trademark of ADT Services AG and used under license.
ADT reserves the right to modify or withdraw any product or service without notice.

Ref No PSI157A Issue 1 August 2005

© 2005 Tyco International



ADT Always There®