

EXTERNAL ANALYSER GD4500



- **Perimeter fence detection for cut, climb and lift attack**
- **Suitable for all styles of metal fence**
- **Unique rigid fence capability**
- **Optimum zone length 100m, maximum zone length 200m**
- **Self verification via audio output**
- **Dual channel signal processing**
- **On board interchangeable filter enables high level performance on different styles of fence**
- **Remote self test facility**
- **Individual sensitivity, time and events adjustments**

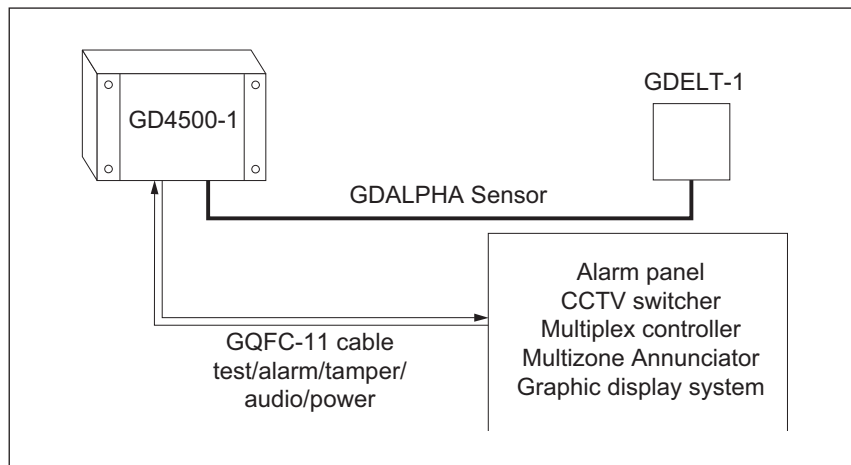
The GD4500 Analyser, combined with Alpha Sensor, is a stand alone perimeter intruder detection device. It exploits the precision Alpha Sensor technology by processing the analogue signal generated by an intrusion attempt on the perimeter fence using two separate channels, each individually adjustable, into alarm outputs for cut, climb and lift attacks.

Self verification is provided via the class leading audio output which allows fence activities to be monitored by listening to the audio output. A special on board environmental filter adapts the analyser to each fence style and also reduces the incidence of false alarms from adverse environmental conditions. Industry standard alarm and tamper outputs enable connection to standard intruder panels or annunciators.

EXTERNAL ANALYSER

GD4500

Integrates with:



- Alpha Sensor
- RAFID
- RV Beams
- Multizone Annunciator
- Multiplexer
- CentrAlert
- Gthernet

TECHNICAL INFORMATION

Application	Provides analysis of Alpha Sensor signal to provide alarm, tamper and audio outputs		Weight	
			GD4500-1	1.2kg
			GD4500-2	2.4kg
Sales Part Number			Power Requirements	
GD4500-1	Single Zone Analyser		GD4500-1	10 - 24V dc; 60mA at 12V
GD4500-2	Dual Zone Analyser		GD4500-2	10 - 24V dc; 120mA at 12V
Inputs	Remote self test			Reverse polarity and overvoltage protection with fused input as standard
Outputs			Housing Material	Die-cast aluminium with agate grey polyester finish RAL 7038
Alarm/tamper	Switchable relays between Form A and Form B			Supplied complete with integral 6mm ground stud and 2/4x PG11 cable glands
Contact rating	Voltage	110V ac or 30V dc		Sealed to IP66
	Current	0.3A ac or 1.0A dc		
	Power	30VA or 20W		
Audio monitoring	0dBm into 600		Operating Temperature	-40°C to +80°C
Lightning Protection	Transformer isolation and transistor suppression diodes on sensor input Spark gaps on signal outputs		Electro Magnetic Compatibility	Complies with the requirements of BS EN50081-1 and EN50082-1
Internal Indicators	Alarm and tamper relay status indicators Events and climb indicator PCB fuse indicator All indicators are LEDs		Options	Special environment filters for local fence styles
Internal Controls	Sensitivity	Two independent Sensitivity controls	Installation Time	30 minutes
	Events	Selectable 1-9	Fixing Method	Mounting bar
	Timer	Selectable in 30 sec intervals Range 30 - 270 secs	Location	Externally mounted
Dimensions			Maintenance	Regular self test and inspection
GD4500-1	W 220mm x H 140mm x D 70mm		Installation	By any Geoquip approved installer
GD4500-2	W 460mm x H 140mm x D 70mm		Warranty	12 months from date of invoice