



IS28 mk4 Banshee™ Audible Warning Device

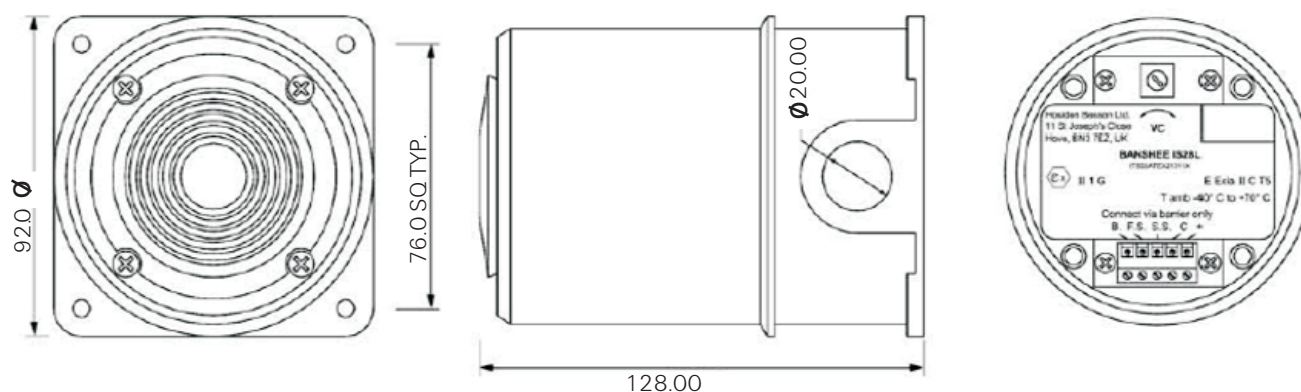
ATEX 21311X

Features

- Banshee IS28 Intrinsically safe
- ATEX approved cert.No: ITS03 ATEX 21311X
- System certificate cert.No: ITS Ex 04E21968
- Temperature rated T5 (+85°C)
- IP66 rated
- 4 Selectable sounds: Buzz, Fast Sweep, Slow Sweep, and Continuous
- Adjustable volume max - 94 dBA (low frequency)

The IS28 Mk4 is the industry standard for sounders used in hazardous environments. This traditional high profile Banshee™ is available with four sounds: Buzz, fast sweep, slow sweep and continuous and is fitted with a volume control.

SPECIFICATIONS



Electrical Supply

See system diagrams

The IS28 mk4 must be powered via a zener barrier or other safety isolation device. It may be operated with up to 2 units in parallel, but the barrier will restrict the current flow and hence the sound output. If dual channel barriers are used, then only one IS28 mk4 per barrier can be accommodated. Incoming wiring may be connected to a heavy duty terminal block in the base of the IS28. The supply is then taken via Red & Black leads to the selected sound terminals on the sounder terminal block. Alternatively the incoming wiring can be connected directly to the sounder block.

Connections on IS28 Terminal Block

+	=	positive terminal (Red wire)
B	=	Buzz sound
FS	=	Fast Sweep
SS	=	Slow Sweep
C	=	Continuous

Connect 0 volt Black wire to required sound terminal

Current consumption

Typical when unit is run from 24VDC via a 28 volt, 300 ohm barrier:-

Low Frequency	- 10mA
---------------	--------

Volume control (VC)

Low Frequency - 94dBA max

Volume control adjustment is approximately 15dBA

For further information on how we can help you, please visit our website at www.tycofis.com or e-mail us on tfis.fda.uk@tycoint.com. The right is reserved to modify or withdraw any product or service without notice. PSF204TFIS Issue 1 June 2006 © 2006

a vital part of your world

tyco
Fire & Integrated
Solutions