



IS28 mk4 Banshee™ Audible Warning Device

ATEX 21311X

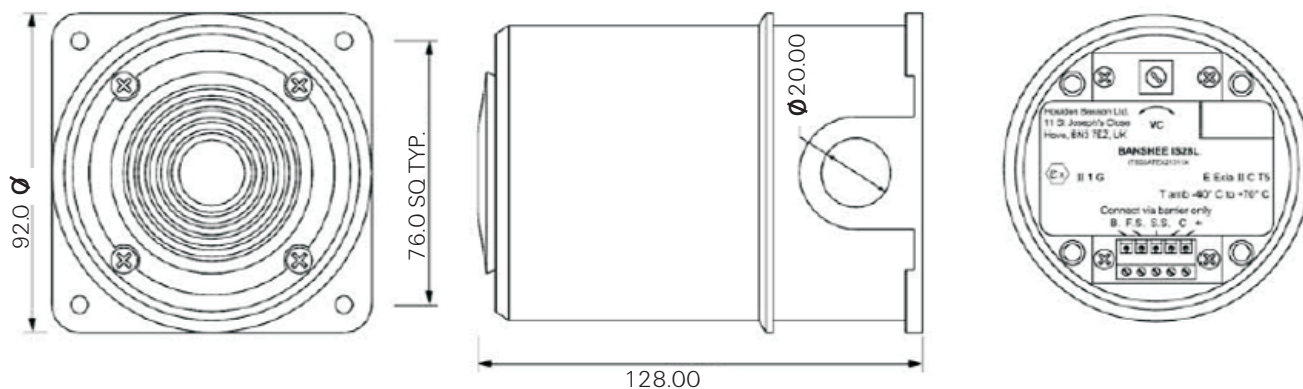
Features

- Banshee IS28 Intrinsically safe
- ATEX approved cert.No: ITS03 ATEX 21311X
- System certificate cert.No: ITS Ex 04E21968
- Temperature rated T5 (+85°C)
- IP66 rated
- 4 Selectable sounds: Buzz, Fast Sweep, Slow Sweep, and Continuous
- Adjustable volume max - 94 dBA (low frequency)

The IS28 Mk4 is the industry standard for sounders used in hazardous environments. This traditional high profile Banshee™ is available with four sounds: Buzz, fast sweep, slow sweep and continuous and is fitted with a volume control.

IS28 mk4 Banshee™ Audible Warning Device

DATA SHEET



Electrical Supply

See system diagrams

The IS28 mk4 must be powered via a zener barrier or other safety isolation device. It may be operated with up to 2 units in parallel, but the barrier will restrict the current flow and hence the sound output. If dual channel barriers are used, then only one IS28 mk4 per barrier can be accommodated. Incoming wiring may be connected to a heavy duty terminal block in the base of the IS28. The supply is then taken via Red & Black leads to the selected sound terminals on the sounder terminal block.

Alternatively the incoming wiring can be connected directly to the sounder block.

Connections on IS28 Terminal Block

+	=	positive terminal (Red wire)
B	=	Buzz sound
FS	=	Fast Sweep
SS	=	Slow Sweep
C	=	Continuous

Connect 0 volt Black wire to required sound terminal

Current consumption

Typical when unit is run from 24VDC via a 28 volt, 300 ohm barrier:-

Low Frequency - 10mA

Volume control (VC)

Low Frequency - 94dBA max

Volume control adjustment is approximately 15dBA

For further information on how ADT can help you, contact your local office or phone free on **0800 010 999** or visit us at www.adt.co.uk

CE

Head Office: ADT Fire and Security plc, Security House, The Summit, Hanworth Road, Sunbury-on-Thames, Middlesex TW16 5DB.
ADT and ADT Always There is a registered trademark of ADT Services AG and used under license.
ADT reserves the right to modify or withdraw any product or service without notice.

Ref No PSF204A Issue 1 June 2006

© 2006 Tyco International



ADT Always There®