

# Easy AV™

## Smart Strobe Conversion



**DATASHEET**

**VIMPEX**

Shaping Alarm Technology

# The Smart Strobe Conversion

Easy AV™ is the smart way to convert existing installations of Besson's Banshee and Bedlam† as well as Fulleon's Roshni\* sounders to DDA-compliant sounder/strobes. The Easy AV™ is an ingenious strobe ring that retrofits onto Banshee and Roshni products without the need to remove the existing wall mounted base or change the wiring.



The Easy AV™ is supplied with handy flying leads that allow quick and easy installation in less than 3 minutes - all you need is a screwdriver.

Easy AV™ incorporates a high output dual strength LED strobe that makes it a cost-effective solution for DDA compliance. As it is powered from the sounder circuit, Easy AV™ requires no additional power supplies. Its low current consumption means that in most cases the existing sounder circuit supply current will be sufficient without the need to upgrade power supplies.

## Features

- Easy to install in less than 3 minutes
- No need to replace existing sounder, base or wiring
- High output dual strength LED strobe
- Unique solution for DDA compliance
- Selectable flash mode and rate
- Two versions available to fit
  - Besson Banshee and Bedlam†
  - Fulleon Roshni\*



Fulleon Roshni\*



Besson Banshee†



Easy AV™ Strobe Ring

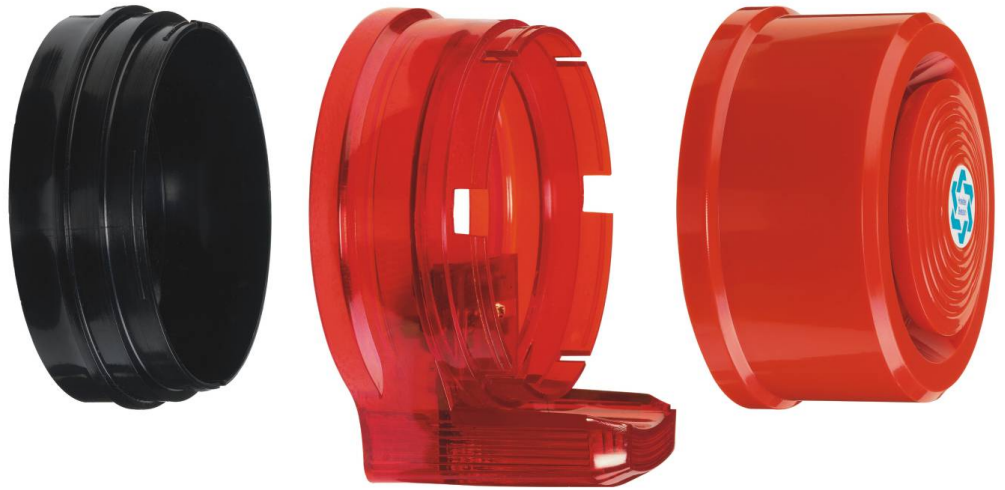
†Banshee and Bedlam are trademarks of Hosiden Besson Ltd  
\*Roshni is a trademark of Fulleon Ltd

# It's as Easy as 1-2-3

1



2



3



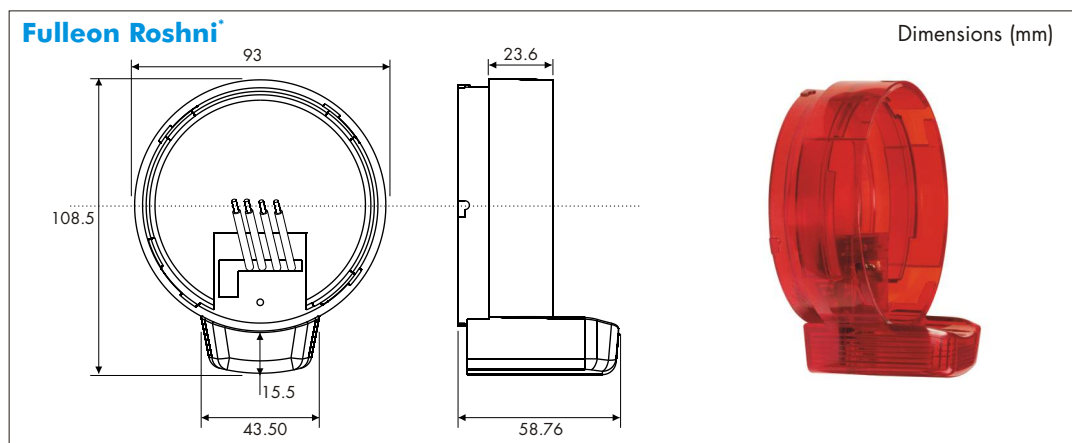
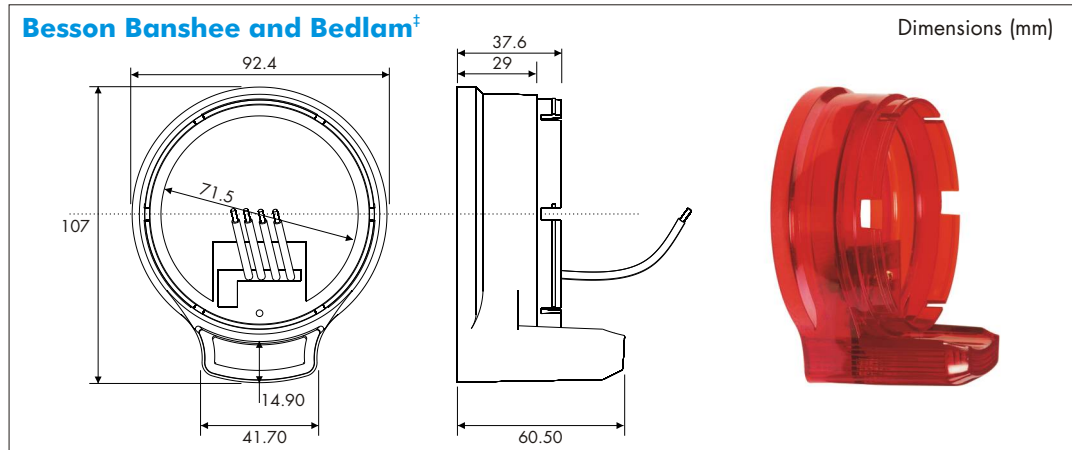
**VIMPEX**

Shaping Alarm Technology

## Specification

Product Code	EASY AV-B		EASY AV-R	
		Besson Banshee/Bedlam <sup>†</sup>		Fulleon Roshni*
Rated Voltage (Vdc)	9 - 30			
Rated Current @24V (mA)	2.5 - 6.0			
Flash Output (W)	Low: 1, High: 2 - Selectable (Equivalent Xenon output)			
Flash Frequency (Hz)	1 or 1.5 - Selectable			
IP Rating (minimum)	IP43 to IP65, depending on product and base type			
Temperature Range (°C)	-25 to +55			
Weight (g)	150			
Colour	Translucent Red			
Construction	VO Thermo Plastic			

## Installation



<sup>†</sup>Banshee and Bedlam are trademarks of Hosiden Besson Ltd

\*Roshni is a trademark of Fulleon Ltd

## Other Products and Accessories



- Fire-Cryer<sup>®</sup> Voice Enhanced Sounders
- Electronic Sounders
- Fire Alarm Bells
- Beacons and Strobe Lights
- Sounder Accessories & Fire System Ancillaries
- Stopper Range of Vandal Deterrent Products
- Water Leakage Detection Systems

# VIMPEX

**Vimpex Ltd**

Star Lane, Great Wakering  
Essex, SS3 0PJ England.  
Tel: +44 (0) 1702 216999  
Fax: +44 (0) 1702 216699  
E-mail: sales@vimpex.co.uk

[www.vimpex.co.uk](http://www.vimpex.co.uk)



Quality System Certificate No. 456  
Assessed to ISO 9001:2000

**BFP**  
British Fire Protection Systems Association

We reserve the right to change or amend any design or specification in line with our policy of continuing development and improvement.

Part No: DS/EASYAV/ISS 1