



Hosiden Besson Ltd
 St. Joseph's Close
 Brighton & Hove
 East Sussex BN3 7EZ
 England
 Tel: +44 1273 861166
 Fax: +44 1273 777501
 Email: info@hbl.co.uk
 www.hbl.co.uk

product Banshee^{MT} Multi-Tone Sounder sheet

- EN54 part 3 approved LPC + VdS CPD approved No. 0832 - CPD - 0254.
- Ultra low current consumption
- 32 user selectable tones
- Choice Of 3 volume levels
- Rated IP66 or IP45
- Installation via side & rear cable entry
- Easy push & twist lockable bayonet mounting
- Temperature range from -40 to +70°C
- Simple in & out wiring blocks offering continuous override and dual signalling
- Full range of accessories & colours available

The Banshee^{MT} has been designed to replicate the performance of the existing Banshee and Bedlam sounders, by combining the two products into a single, 32 tone, fully compatible efficient sounder.

Not only does the Banshee^{MT} contain all of the features of a market leading sounder using the acoustic expertise of Hosiden Besson, it also fully meets the expectations of the architect, installer and the user.

Manufactured in a flame retardant ABS and available in a range of colours the Banshee^{MT} is a product designed to meet all applications.

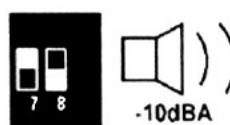
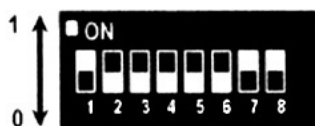
The Banshee^{MT} is easily installed and fitted with robust terminations within an aesthetic design and radical profile. The bayonet push and twist feature enables an easy installation, which results in an effective product that blends with its surroundings.



Product Order no: **8900400 / HB** White Standard **8900700 / HB** White Deep
8900500 / HB Grey Standard **8900800 / HB** Grey Deep
8900600 / HB Red Standard **8900900 / HB** Red Deep

Banshee^{MT} Multi-Tone Sounder

Switch bank



Sound selection 1 to 5, output level 7 & 8, 6 not used

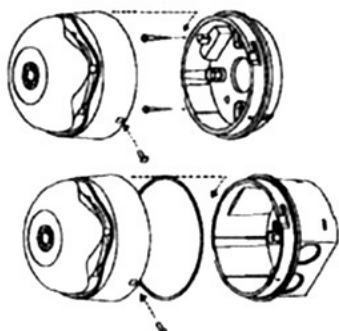
INSTALLATION

ANLAGE

INSTALACIÓN

INSTALLAZIONE

MONTAGE



WIRING

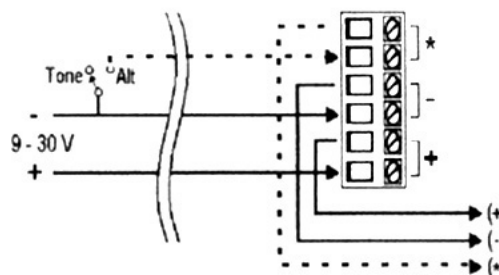
CÂBLAGE

VERDRÄHTUNG

CABLEADO

COLLEGAMENTI

INSTELLINGEN



Tone Information			Banshee 12v			Banshee 24v		
No.	Description	Frequency and Timing	2nd tone	dBA (Typ)	mA (Typ)	dBA (Typ)	mA (Typ)	12345
1	Banshee LF Buzz	800Hz to 950Hz swept at 120Hz*	4	94	6	100	12	00000
2	Banshee LF Fast Sweep	800Hz to 950Hz swept at 9Hz*	4	94	6	100	12	10000
3	Banshee LF Slow Sweep	800Hz to 950Hz swept at 3Hz*	4	94	6	100	12	01000
4	Banshee LF Continuous	Continuous at 850Hz*	4	95	6	101	12	11000
5	Banshee LF Fast Sweep (New)	830Hz to 970Hz swept at 9Hz*	4	95	6	101	12	00100
6	Medium Sweep LF	800Hz to 970Hz swept at 1Hz*	7	95	6	102	12	10100
7	Continuous LF	Continuous at 970Hz*	7	97	6	103	12	01100
8	Backup Alarm LF	Intermittant at 950Hz 1s on, 1s off*	4	97	4	103	7	11100
9	Alternate LF	Alternating 800Hz/1000Hz, 0.5s each sound*	4	94	8	101	14	00010
10	Medium Sweep LF	800Hz/1000Hz swept at 0.5s*	4	95	5	101	12	10010
11	Alternate LF	Alternating tones 800/950Hz at 3Hz*	4	96	6	103	14	01010
12	Banshee/Bedlam HF buzz	2400Hz to 2900Hz at 120Hz	15	102	12	110	25	11010
13	Banshee/Bedlam HF Fast Sweep	2400Hz to 2900Hz at 9Hz	15	103	12	110	25	00110
14	Banshee/Bedlam HF Slow Sweep	2400Hz to 2900Hz at 3Hz	15	103	12	110	25	10110
15	Banshee/Bedlam HF Continuous	Continuous 2900Hz	15	105	12	112	30	01110
16	Banshee/Bedlam HF Fast Sweep (New)	2450Hz to 3100Hz swept at 9Hz	15	103	12	110	25	11110
17	Backup Alarm LF	Intermittant at 2900Hz 1s on, 1s off	15	105	7	112	15	00001
18	Alternate LF	Alternating tones 2400/2900Hz at 3Hz	15	104	12	110	25	10001
19	Slow Whoop	500Hz rising to 1200Hz over 3.5, silence 0.5s, repeat	4	96	6	101	12	01001
20	Din Tone (DK)	1200Hz falling to 500Hz over 1s, silence 10ms, repeat	4	93	6	101	14	11001
21	French Fire Sound	554Hz for 100ms and 440Hz for 400ms	4	90	5	96	10	00101
22	Australian Alert Signal	420Hz repeating 0.625s on, 0.625s off	4	88	3	94	6	10101
23	Australian Evacuation Signal	500Hz rising to 1200Hz over 3.75s on, 0.25s off	4	96	6	103	12	01101
24	US Temporal Tone LF	950Hz for 0.5s on 0.5s off, for 3 phases, silence for 1.5s & repeat	4	96	3	103	6	11101
25	US Temporal Tone HF	2900Hz for 0.5s on 0.5s off, for 3 phases, silence for 1.5s & repeat	15	105	6	112	12	00011
26	Swedish Tone (Fire)	Intermittant 660Hz 150ms on, 150ms off	26	81	4	87	7	10011
27	Swedish Tone (All Clear)	Continuous 660Hz	27	84	5	89	14	01011
28	ISO8201 LF	Intermittant 970Hz 500ms on, 500ms off*	28	96	4	103	7	11011
29	ISO8201 HF	Intermittant 2900Hz 500ms on, 500ms off	29	106	8	112	15	00111
30	BT Banshee (FP1063.1)	Yodel 800Hz/1000Hz, 0.25s each frequency*	31	93	8	101	14	10111
31	BT Banshee (FP1063.1)	Continuous 1000Hz*	31	95	8	102	17	01111
32	Bell Tone	Bell Tone*	32	96	8	101	17	11111

*Tone meets frequency requirements of BS 5839 pt. 1 1988