



## Conway External Wall and Ceiling Mounted Housings EHC4, EHW4 and Corner Kit

### Features:

- Vandal resistant construction
- Manufactured to IP65
- Available in 304 stainless steel
- Manufactured from stainless steel (3CR12)
- Corner Kit available for EHW4
- Finished in morning mist BS10A03 as standard
- Low or high voltage heaters
- Special finishes available
- Replacement polycarbonate screens available
- Cable termination
- Anti tamper kits

The Conway range of external camera housings is designed specifically to provide an environment for camera and lens assemblies that is safe from interference and the weather. The housing also gives the added advantage of hiding cables and wires that might be unsightly in many situations.

The camera mounting assembly has been designed to cope with most major cameras on the market. It has the ability to take top or base mounting cameras and the removal of one part of the assembly will allow the housing to be mounted on a wall either left or right facing.

The EHW4 is designed to allow the camera and lens to look directly out from a wall or flat vertical surface. A small amount of side-to-side adjustment is possible (approx. 20 degrees). Vertical adjustment (approx 60 degrees) is also possible.

## SPECIFICATIONS

### Optional

- The CK is a corner mounting unit made for the EHW4 which allows the unit to be fixed in a 90 degree corner.
  - Heater, please specify voltage when ordering.
- Special Finishes At Conway we manufacture all of our products at our factories in High Wycombe and are therefore able to apply special colour finishes to customer specifications.

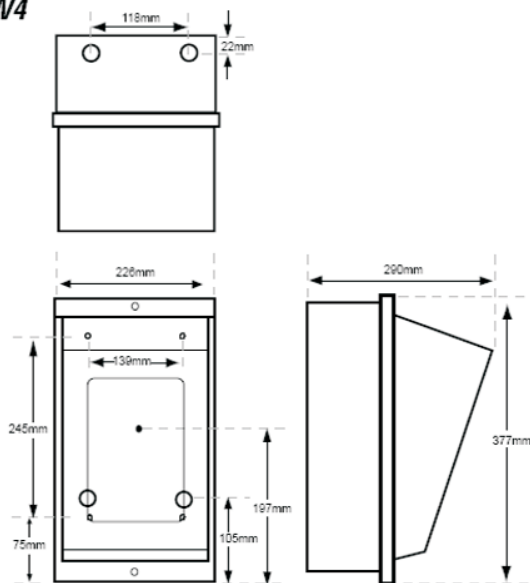
### Specifications

Material  
Stainless steel (3CR12)  
Finish  
Powder coated BS 10A03  
Window  
Polycarbonate  
Two Single Locking Screws  
M8

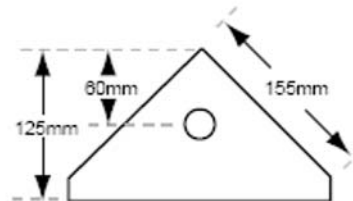
### Options

T2 Anti-tamper switch  
T4 Monodrive hexagon tool and bolt  
304 stainless steel  
Low and high voltage heaters

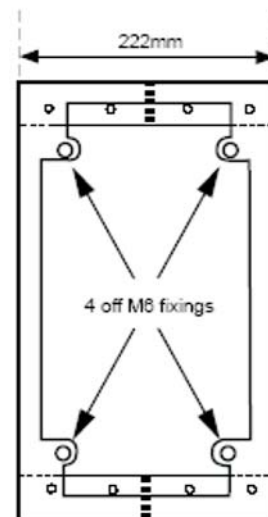
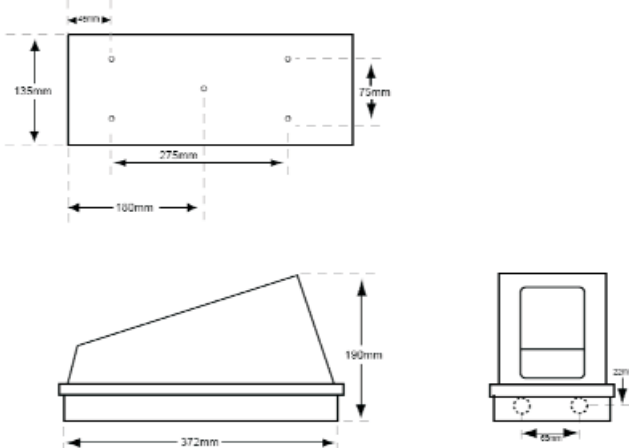
**EHW4**



**EHW4/CK**



**EHC4**



For further information on how we can help you please visit our website at [www.tycofis.com](http://www.tycofis.com) or e-mail us on [tycofis@tycoint.com](mailto:tycofis@tycoint.com). The right is reserved to modify or withdraw any product or service without notice. PSS120TFIS Issue 2 July 2006 © 2006

**tyco**

Fire & Integrated  
Solutions

*a vital part of your world*